

# Baby Love

CELEBRATING  
**75**  
YEARS  
RED HEART YARNS 1936 - 2011



**25 Knit & Crochet Projects for Baby**







***Baby Love from Red Heart Yarn***

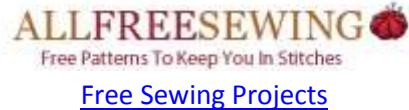
***25 Knit and Crochet Projects for Baby***

Copyright 2011 by Prime Publishing LLC

All rights reserved. No part of this book may be reproduced or transmitted in any form or by any means, electronic or mechanical, including photocopying, recording, or by any information storage or retrieval system, without written permission from the publisher, except in the case of brief quotations embodied in critical articles and reviews.

Trademarks are property of their respective holders. When used, trademarks are for the benefit of the trademark owner only.

Published by Prime Publishing LLC, 3400 Dundee Road, Northbrook, IL 60062 – [www.primecp.com](http://www.primecp.com)





## Letter from the Editors

---

### Oh Baby Love

Crocheting and knitting for baby is a perfect way to show your love and caring. Whenever there's a baby shower or new arrival, look here for inspiration and ideas.

We included winning projects, perfect for gift giving, in an array of skill levels. Most are quick and easy to make.

This collection includes 10 blankets to warm the new arrival and to comfort them into their toddler years. The newborn baby cocoon is a cozy alternative to the receiving blanket and our number one most popular project. You'll also find sweaters, hats, soakers and sweet little stuffed animals in this array of 25 projects.

It's fun to know whether it's going to be a boy or girl and choose the project accordingly. But if you are waiting for the birth to know the sex, like the "good ol' days", these projects can be made in colors that are not gender specific, like soft shade of yellow or green.

This year Red Heart is celebrating 75 years of producing quality yarns that have been caringly crafted with a little bit of love woven into every strand. We are proud of our tradition of baby yarns and patterns. Our *Baby Love* collection is a celebration of that tradition. Together we will find inspiration.

Red Heart and you. Two hearts, one passion!

Sincerely,

*Red Heart Yarn*

[www.redheart.com](http://www.redheart.com)



## Baby Love Table of Contents

<b>Abbreviations .....</b>	<b>6</b>	<b>Clothes for Baby .....</b>	<b>24</b>
<b>Blankets for Baby.....</b>	<b>7</b>	Cozy Soft Baby Cocoon and Hat.....	24
Squares in the Corners Baby Blanket.....	7	Soft and Cuddly Huggable Hoodie.....	25
Poseys in the Squares Baby Blanket .....	9	Easy-to-Knit Sweet Baby Hat .....	27
Cuddly Hooded Baby Blanket.....	10	Fluffy Crocheted Cotton Candy Booties .....	28
The Coziest Crocheted Baby Blanket Ever ...	11	Super-Cute Crocheted Cupcake Hat .....	29
Two-Color Ripple Waves Baby Blanket.....	13	Whimsical Knit Cupcake Hat.....	31
Crocheted Baby Comfort Blanket .....	15	Ribs All Around Baby Jacket and Bonnet.....	32
Lingering over a Lullaby Blanket .....	16	Ruffle-Bottomed Baby Girl Soakers .....	34
Serene Seaside Squares Baby Blanket .....	17	Quick-to-Crochet Baby Boy Soakers .....	36
Lacy Sweet Hearts Baby Blanket.....	18		
Striped Baby Blankie and Playful Puppy Pal.....	20		
Crocheted Bunny Toy.....	21		
Easy One Ball Baby Blanket & Hat Set .....	23		



## Abbreviations

**A, B, C** – Color A, Color B, Color C, etc.

**ch** – chain

**dc** – double crochet

**dec** – decrease

**dpn** – double pointed needle

**hdc** – half double crochet

**inc** – increase

**K** – knit

**k2tog** – knit next two stitches together

**kwise** – knitwise

**m1** – make 1

**mm** – millimeters

**P** – purl

**p2tog** – purl next two stitches together

**pm or PM** – place marker

**pwise** – purlwise

**RS** – right side

**rem** – remaining

**rnd** – round

**sc** – single crochet

**sc2tog** – single crochet two stitches together

**sk** – skip

**sl st** – slip stitch

**sp(s)** – space(s)

**ssk** – slip the next two stitches knit wise onto right hand needle, insert left hand needle into front loops of these stitches, knit together.

**st(s)** – stitch(es)

**St st** – stockinette stitch (knit right side rows, purl wrong side rows)

**tbl** – through back loop

**tfl** – through front loop

**tog** – together

**tr** – treble (or triple) crochet

**WS** – wrong side

**yo** – yarn over

**\* or \*\*** – repeat whatever follows the \* or \*\* as indicated

**[ ]** – work directions in brackets the number of times specified





## Blankets for Baby

### Squares in the Corners Baby Blanket

By Dee Phillips

From a center ring to a four-corner design, this beautifully shaded baby blanket is an easy project you can make. Plus, since it's made in squares, it's a great take-along project. With a lovely scalloped edge, this crocheted baby blanket will be a welcome gift.

**Blanket measures 33½" x 33½".**



#### MATERIALS:

- RED HEART® “Super Saver®” 5 oz. (141 g), 244 yd. (223 m) skeins: 4 skeins 995 Ocean
- Crochet hook, 4.5 mm [US G-7]
- Yarn needle

**GAUGE:** Each Square = 5¼". CHECK YOUR GAUGE. Use any size hook to obtain gauge.

#### INSTRUCTIONS:

##### SQUARE (Make 36)

Ch 4, slip st in first ch to form ring.

**Round 1:** Ch 3 (counts as dc here and throughout), work 15 dc in ring, slip st in top of beginning ch – 16 dc.

**Round 2:** Ch 3, work 2 dc in same st, [ch 2, skip next dc, dc in next dc, ch 2, skip next dc, 3 dc in next dc] 3 times, ch 2, skip next dc, dc in next dc, ch 2, slip st in top of beginning ch – 8 ch-2 spaces.

**Round 3:** Ch 3, 5 dc in next dc, dc in next dc, [ch 2, dc in next dc, ch 2, dc in next dc, 5 dc in next dc, dc in next dc] 3 times, ch 2, dc in next dc, ch 2, slip st in top of beginning ch.

**Round 4:** Ch 3, dc in next 2 dc, 5 dc in next dc, dc in next 3 dc, [ch 2, dc in next dc, ch 2, dc in next 3 dc, 5 dc in next dc, dc in next 3 dc] 3 times, ch 2, dc in next dc, ch 2, slip st in top of beginning ch.

**Round 5:** Ch 3, dc in next 4 dc, (2 dc, ch 1, 2 dc) in next dc for corner, dc in next 5 dc, [ch 2, dc in next dc, ch 2, dc in next 5 dc, (2 dc, ch 1, 2 dc) in next dc for corner, dc in next 5 dc] 3 times, ch 2, dc in next dc, ch 2, slip st in top of beginning ch.

Fasten off.

#### BLANKET

Arrange Squares into 6 rows of 6 Squares each. Whipstitch Squares together.

##### Border

**Round 1:** With right side facing, join yarn with a slip st in corner ch-1 space, ch 5 (counts as dc and ch 2), [dc in same ch-1 space, ch 2] twice, \*skip next 3 dc, dc in next dc, ch 2, skip next 2 dc, dc in next dc, [ch 2, dc in next dc] twice, ch 2, skip 2 dc, dc in next dc, ch 2; repeat from \* around working [dc, ch 2] 3 times in Border corner ch-1 space, slip st in 3rd ch of beginning ch.

**Round 2:** Slip st in ch-2 space, ch 3, 3 dc in same ch-2 space, slip st in next dc, 4 dc in next ch-2 space, slip st in next ch-2 space, 4 dc in next ch-2 space, slip st in next ch-2 space, \*[3



## Baby Love eBook from Red Heart Yarn

hdc in next dc, slip st in next ch-2 space, 4 dc in next ch-2 space] across to 3rd dc before first dc of next corner, 3 hdc in next dc, slip st in next ch-2 space, 4 dc in next ch-2 space, slip st in next ch-2 space, 4 dc in next ch-2 space, slip st in next dc, 4 dc in next ch-2 space, slip st in next ch-2 space, 4 dc in next ch-2 space; repeat from \* around to last dc before last 3 ch-2 spaces on

last side, 3 hdc in last dc, slip st in next ch-2 space, 4 dc in next ch-2 space, slip st in next ch-2 space, slip st in top of beginning ch.

Fasten off.

Weave in ends.





## Poseys in the Squares Baby Blanket

By Michele Maks

Welcome a new baby with this intermediate level baby blanket. Create it now and have it ready to go for the next baby shower.

**Blanket measures 38" x 38".**



### MATERIALS:

- RED HEART® “Baby Econo” 6 oz (170 g), 460 yd (421 m) skeins: 4 skeins 1047 Candy Print
- Crochet hook: 5.5mm [US I-9]
- Yarn needle

**GAUGE:** Square = 5". CHECK YOUR GAUGE. Use any size hook to obtain the gauge.

### INSTRUCTIONS:

#### BLANKET

##### Square (Make 49)

Ch 3, slip st in first st to form a ring.

**Round 1:** Ch 3 (counts as dc here and throughout), work 11 dc in ring, slip st in top of beginning ch – 12 sts.

**Round 2:** Ch 3, [slip st in front loop of next dc, ch 3] around, slip st in back loop in top of beginning ch of Round 1 – 12 loops.

**Round 3:** Ch 3, 2 dc in same space on Round 1, 3 dc in back loop of next dc on Round 1, ch 3, skip next st, \*[3 dc in back loop of next dc] twice, ch 3, skip next st; repeat from \* around, slip st in top of beginning ch – 4 ch-3 spaces.

**Round 4:** Slip st in next dc, ch 3, dc in next 3 dc, skip next dc, (3 dc, ch 3, 3 dc) in ch-3 space, \*skip next dc, dc in next 4 dc, skip next dc, (3 dc, ch 3, 3 dc) in ch-3 space; repeat from \* around; slip st in back loop of beginning ch.

**Round 5:** Ch 3, \*dc in back loop of each dc to ch-3 space, dc in back loop of next ch, (dc, ch 1, dc) in back loop of next ch, dc in back loop of next ch; repeat from \* to last ch-3 space, dc in back loop of next 3 dc, slip st in top of beginning ch.

**Round 6:** Slip st in front loop of next st on Round 4, ch 1, [slip st in next front loop, ch 1] around, slip st in first slip st. Fasten off.

#### FINISHING

Arrange Squares into 7 rows of 7 Squares each. Sew Squares together.

#### Edging

**Round 1:** With right side facing, join yarn in any st, ch 1, sc in each st around, working 3 sc in each Blanket corner ch-1 space, slip st in first sc.

**Round 2:** [Ch 2, slip st in next sc] around. Fasten off. Weave in ends.



## Cuddly Hooded Baby Blanket

By Bobbi Anderson

Knit a soft-as-can-be hooded baby blanket for a newborn in your favorite multi-colored Buttercup yarn. Baby will keep warm and toasty in this knit blankie.

**Blanket measures 28" x 28".**



### MATERIALS:

- RED HEART® “Buttercup™” 1.76 oz (50 g), 72 yd (66 m) balls: 5 balls 4276 Lt. Blue Multi.
- Knitting needles 9mm [US 13].
- Yarn needle

**GAUGE:** 10 sts = 4”; 14 rows = 4” in Garter st. CHECK YOUR GAUGE. Use any size needles to obtain the gauge.

### INSTRUCTIONS:

#### BLANKET

Cast on 70 sts. Work in Garter st (k every row) until piece measures 28” from beginning, end by working a wrong side row. Bind off.

#### Hood

Cast on 3 sts.

**Row 1:** K1, k into front and back of next st, k1–4 sts.

**Rows 2, 4, 6, and 8:** Knit.

**Row 3:** K1, k into front and back of next 2 sts, k1–6 sts.

**Row 5:** K1, k into front and back of next st, k2, k into front and back of next st, k1–8 sts.

**Row 7:** K1, k into front and back of next st, knit to last two sts, k into front and back of next st, k1–10 sts.

Repeat Rows 7 and 8, 15 times—40 sts.

Bind off purlwise.

#### FINISHING

Whipstitch hood in place to corner of blanket.

Weave in yarn ends.



## The Coziest Crocheted Baby Blanket Ever

This cozy crocheted baby blanket is a great beginner project. Stitched in double crochet, the soft yarn in a multi-color blend works up quickly – perfect for a quick gift.

By Michele Wilcox

**Blanket measures 30" x 32".**



### MATERIALS:

- RED HEART® “Buttercup™” 1.76 oz (50 g), 72 yd (66 m) balls: 8 balls 4273 Light Yellow Multi
- Crochet hook, 8mm [US L-11]
- Yarn needle

**GAUGE:** 8 double crochet = 4”; 5 rows = 4”.

**CHECK YOUR GAUGE.** Use any size hook to obtain the gauge.

### INSTRUCTIONS:

#### BLANKET

Chain 61.

**Row 1:** Double crochet in 2nd chain from hook and each chain across – 60 double crochet.

**Row 2:** Chain 2 (counts as double crochet), turn, working in front loops only, double crochet in each double crochet across.

**Rows 3-41:** Repeat Row 2.

Fasten off.





## Broomstick Lace Baby Blanket

LW2190

This and other free patterns available at  
[www.redheart.com](http://www.redheart.com)

10-0162  
©2010 Coats & Clark





## Two-Color Ripple Waves Baby Blanket

By Mary Jane Protus

This two-color ripple wave baby blanket is easy to crochet. Whether you choose to make it in blue and white, pink and white, yellow and green, or a brighter color combination, you'll love working this pattern.

**Blanket measures 36" x 38".**



### MATERIALS:

- RED HEART® "Soft Yarn" 5 oz (140 g), 256 yd (234 m): 3 balls each 2541 Sky Blue A and 4600 White B.
- Crochet hook, 6 mm [US J-10]
- Yarn needle

**GAUGE:** 17 sts = 4" in pattern; 10 rows = 4".  
**CHECK YOUR GAUGE.** Use and size hook to obtain the specified gauge.

**NOTE:** To Change Color in sc: Insert hook in next st and draw up a loop, drop working color and pick up new color, pull new color through 2 loops on hook.

### SPECIAL ABBREVIATIONS

**shell:** 5 dc in same st or space.

**dc2tog (double crochet 2 together):** [yo, insert hook in next st(sp), yo and pull through 2 loops on hook] twice, yo and pull through all 3 loops on hook (1 st dec).

**dc3tog (double crochet 3 together):** [ yo, insert hook in next st(sp), yo and pull through 2 loops on hook] 3 times, yo and pull through all 4 loops on hook (2 sts dec).

### Color Sequence

Work in the following color sequence throughout: \*4 rows **A**, 2 rows **B**, 4 rows **A**, 4 rows **B**, 2 rows **A**, 4 rows **B**: repeat from \* throughout.

### INSTRUCTIONS:

#### BLANKET

With **A**, ch 163.

**Row 1 (right side):** Starting in 4th ch from hook, work dc2tog in next 2 ch, \*ch 1, skip next ch, [dc in next ch, ch 1, skip next ch] twice, shell in next ch, ch 1, skip next ch, [dc in next ch, ch 1, skip 1 ch] twice\*\*, dc2tog in next 2 ch, skip next ch, dc2tog in next 2 ch; repeat from \* across to last 14 ch; repeat from \* to \*\* once; end with dc3tog worked in last 3 ch; turn—10 shells.

**Row 2:** Ch 1, sc in first st, sc in next ch-1 space, \*[ch 1, skip next dc, sc in next ch-1 space or st] 7 times, ch 1, skip next 2 dc2tog, sc in next ch-1 space; repeat from \* across; end with sc in top of beg ch-3; turn.

**Row 3:** Ch 3, dc2tog worked in next sc and next ch-1 space, \*ch 1, [dc in next ch-1 space, ch 1] twice, shell in next ch-1 space, ch 1, [dc in next ch-1 space, ch 1] twice \*\*, dc2tog worked in next ch-1 space and next sc, skip next ch-1 space, work dc2tog in next sc and next ch-1 space; repeat from \* across 8 times; repeat from \* to \*\* once; end with dc3tog worked in last ch-1 space and last 2 sc; turn.

**Rows 4-89:** Rep rows 2 and 3, working in color sequence as indicated above, ending with row 3 of pattern in color **A**. Do not fasten off. Weave in ends.

#### Edging

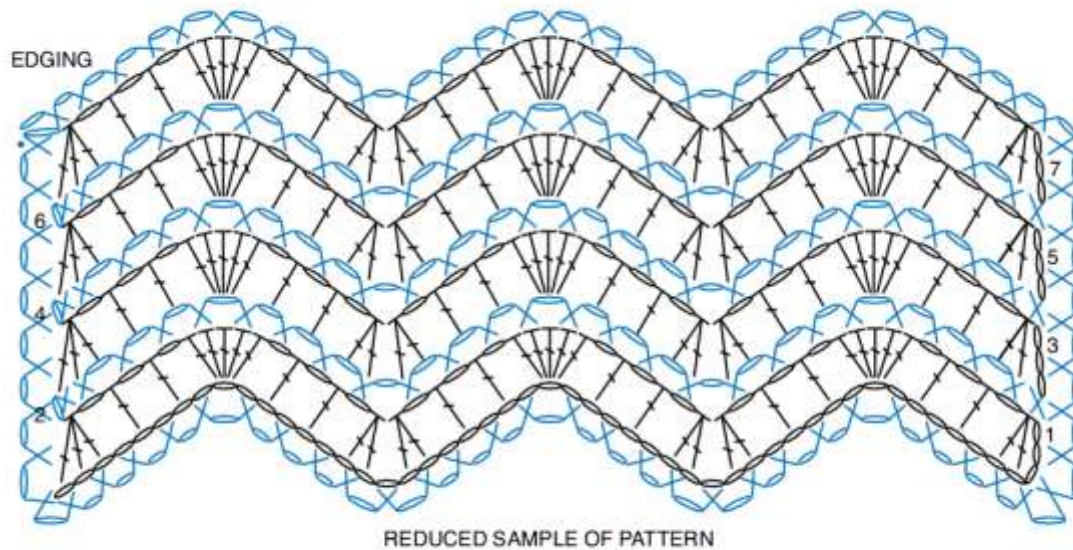
**Round 1:** With right side facing, working with **A**, ch 1, \*working across side edge of blanket, work sc, ch 1, skip space equal to ch-1\*; repeat from \* to \* across side to bottom corner, work (sc, ch 1, sc) in corner st, working across opposite side of foundation ch, ch 1, \*\*sc in space between next 2 dc, [ch 1, sc in ch-1 space] 3 times, skip next ch where shell is worked, [sc in next ch-1 space, ch 1] 3 times, sc between next 2 dc, ch 1, sc in next ch-1 space; repeat from \*\* across, ch 1, work (sc, ch 1, sc) in corner, repeat from \* to \* across side edge to next corner, work (sc, ch 1, sc) in corner st, \*\*\*[sc in ch-1 space, ch 1] 3



## Baby Love eBook from Red Heart Yarn

times, sc in next dc, ch 1, skip next dc, sc in next dc, ch 1, skip next dc, sc in next dc, [ch 1, sc in next ch-1 sp] 3 times, ch 1; repeat from \*\*\*

across top edge; end with sc in top left-hand corner, ch 1; join with slip st in first sc. Fasten off.



### STITCH KEY

- = chain (ch)
- = slip st (sl st)
- = single crochet (sc)
- = half double crochet (hdc)
- = double crochet (dc)
- = dc2tog
- = dc3tog
- = shell



## Crocheted Baby Comfort Blanket

By Katherine Eng

Here is an intermediate-level crocheted blanket for baby to play on while he's young and to carry around for comfort when he starts toddling. With all of the colors of Super Saver to choose from, you can coordinate your blanket with baby's nursery.

**Blanket measures 36" x 36".**



### MATERIALS:

- Red Heart® "Super Saver®" 7 oz (198 g), 364 yd (333 m) skeins: 3 skeins 381 Light Blue
- Crochet hook, 6 mm [US I-9]
- Yarn needle

**Gauge:** 3 clusters and 2 crossed dc = 4"; 6 rows = 4". CHECK YOUR GAUGE. Use any size hook to obtain the gauge.

### Special Abbreviation

**cluster:** [Yo, insert hook in next st or space, yo, draw yarn through, yo, draw yarn through 2 loops on hook] 3 times in same st or space, yo, draw yarn through 4 loops on hook.

### INSTRUCTIONS:

#### BLANKET

Ch 103.

**Row 1:** Working in back bottom loop of each ch, cluster in 6th ch from hook, \*ch 1, skip next 2 ch,

dc in next ch, dc in last skipped ch to right of last dc (crossed dc made), ch 1, skip 1 ch, cluster in next ch; repeat from \* across ending with ch 1, skip 1 ch, dc in last ch, turn – 20 clusters and 19 crossed dc.

**Row 2:** Ch 4 (counts as dc, ch 1 here and throughout), skip next ch-1 space, dc in next ch-1 space, dc in last skipped ch-1 space to the right (crossed dc made), \*ch 1, cluster in space between next 2 dc of crossed dc, ch 1, crossed dc worked across next 2 ch-1 spaces; repeat from \* across ending with ch 1, dc in 3rd ch of turning ch, turn.

**Row 3:** Ch 4, skip next ch-1 space, \*cluster in space between next 2 dc of crossed dc, ch 1\*\*, crossed dc worked across next 2 ch-1 spaces, ch 1; repeat from \* across, ending last repeat at \*\*, ch 1, dc in 3rd ch of turning ch, turn.

**Rows 4-49:** Repeat rows 2-3, 23 times. At end of last row, do not turn. Do not fasten off.

**Round 1 (right side):** Ch 1, \*2 sc in each row-end st across left side to next corner\*, (sc, ch 2, sc) in corner ch, working across bottom, sc in each ch-1 space and in each ch at base of a st to next corner, (sc, ch 2, sc) in corner ch; repeat from \* to \* across right side to next corner, (sc, ch 2, sc) in 3rd ch of top right turning ch, working across top edge, sc in first ch-1 space, sc in each st and each ch-1 space across to next corner, (sc, ch 2, sc) in last dc, join with slip st in first sc – 100 sc across each side; 4 ch-2 corner spaces.

**Round 2 (right side):** Ch 1, sc in first sc, \*[skip next 2 sc, 5 dc (shell made) in next sc, skip next 2 sc, sc in next sc] across to next corner, skip next 2 sc, 7 dc in corner ch-2 space, skip next sc, sc in next sc; repeat from \* around, join with slip st in first sc, turn.

**Round 3 (wrong side):** Ch 4, skip next dc, \*sc in next dc, ch 1, skip next dc, (sc, ch 2, sc) in next dc, ch 1, skip next dc, sc in next dc, ch 1, skip next dc, [dc in next sc, ch 2, sc in center dc of next shell, ch 2] across to next corner\*\*, dc in next dc, ch 1; repeat from \* around, ending last repeat at \*\*, join with slip st in 3rd ch of beginning ch-4, turn.

**Round 4 (right side):** Ch 3 (counts as dc), 4 dc in first st, sc in next sc, \*[5 dc in next dc, sc in next sc] across to next corner, 2 dc in next sc, 5 dc in corner ch-2 space, 2 dc in next sc, sc in next sc; rep from \* around, join with slip st in top of beginning ch. Fasten off. Weave in ends.





## Lingering over a Lullaby Blanket

By Darla Sims.

This easy crocheted blanket with a ruffled edge will be treasured by any baby and Mom. This lovely print yarn is available in so many colors you'll find one you'll love.

**Blanket measures 38" x 40".**



### MATERIALS:

- RED HEART® "Soft Baby Steps®" 3 oz (85 g), 153 yd (140 m) balls: 6 balls 9932 Puppy Print
- Crochet hook, 5.5mm [US I-9]
- Yarn needle

**GAUGE:** 3 Shells = 5½"; 8 rows = 4½" in pattern.

**CHECK YOUR GAUGE.** Use any size hook to obtain the gauge.

### Special Abbreviations

**Shell** = (Dc, [ch 1, dc] 4 times) all in indicated st.

**Picot** = Ch 3, slip st in 3rd ch from hook.

### INSTRUCTIONS:

#### BLANKET

Ch 110.

**Row 1 (Right Side):** Sc in 2nd ch from hook, sc in next ch, ch 3, skip next 3 ch, sc in next ch, \* ch 2, skip next ch, sc in next ch, ch 3, skip next 3 ch, sc in next ch; repeat from \* across, sc in last ch; turn – 18 ch-3 spaces.

**Row 2:** Ch 3 (counts as dc), shell in next ch-3 space, \* picot, shell in next ch-3 space; repeat from \* across, skip next sc, dc in last st; turn – 18 shells.

**Row 3:** Ch 1, sc in first st, sc in 2nd ch-1 space of next shell, ch 2, sc in next ch-1 space of same shell, \* ch 3, sc in 2nd ch-1 space of next shell, ch 2, sc in next ch-1 space of same shell; repeat from \* across, sc in last st; turn.

**Row 4:** Ch 4 (counts as dc, ch 1), (dc, ch 1) all in first st, picot, \* shell in next ch-3 space, picot; repeat from \* across, (dc, [ch 1, dc] twice) all in last st; turn.

**Row 5:** Ch 1, sc in first st, sc in next ch-1 space, \* ch 3, sc in 2nd ch-1 space of next shell, ch 2, sc in next ch-1 space of same shell; repeat from \* across, ch 3, sc in last ch-1 space, sc in last st; turn.

Repeat Rows 2-5 until blanket is 35", ending with Row 3.

Fasten off.

#### Border

**Round 1 (Right Side):** Join in any corner, ch 1, 2 sc in same st, [108 sc evenly across to next corner, 3 sc in next corner] 3 times; 108 sc evenly across, sc in first corner; join with a slip st to first st.

**Round 2:** Ch 1, sc in same st as join, ch 3, \* skip next st, sc in next st, ch 3; repeat from \* around; join.

**Round 3:** Slip st in next ch-3 space, ch 3 (counts as dc), 6 dc in same space, \* [sc in next ch-3 space, ch 3] twice; sc in next ch-3 space, 7 dc in next ch-3 space; repeat from \* around; sc in last ch-3 space, ch 3; join.

**Round 4:** Ch 3, dc in same st, [2 dc in next st] 6 times; \* sc in next ch-3 space, ch 3, sc in next ch-3 space, [2 dc in next st] 7 times; repeat from \* around; join.

**Round 5:** Ch 3, dc in same st, \* [dc in next st, 2 dc in next st] 6 times; dc in next st, sc in next ch-3 space; repeat from \* around; join. Fasten off. Weave in ends.





## Serene Seaside Squares Baby Blanket

By Tracie Barrett

Crochet some squares into a serene seaside baby blanket. This intermediate-level pattern will be great for you to take along.

**Blanket measures 35" x 35".**



### MATERIALS:

- RED HEART® "Baby Econo" 6oz (170 g), 460 yd (421 m) skeins: 3 skeins 1939 Swim Multi
- Crochet hook, 5.5mm [US I-9]
- Yarn needle

**GAUGE:** Square = 5<sup>3</sup>/<sub>4</sub>" x 5<sup>3</sup>/<sub>4</sub>". CHECK YOUR GAUGE. Use any size hook to obtain the gauge.

### INSTRUCTIONS:

#### BLANKET

#### Squares (Make 36)

Ch 4; join with a slip st to form a ring.

**Round 1:** Ch 3 (counts as dc), 23 dc in ring; join with a slip st in top of ch 3 – 24 sts.

**Round 2:** Ch 1, sc in same st as joining, \* ch 5, skip next 2 dc, sc in next dc, ch 3, skip 2 dc \*\*, sc in next dc; repeat from \* around, end at \*\*; join with a slip st in first sc.

**Round 3:** (Slip st, ch 3, 2 dc, ch 3, 3 dc) all in first ch-5 space, \* 3 dc in ch 3 space \*\*, (3 dc, ch 3, 3 dc) all in next ch-5 space; repeat from \* around, end at \*\*; join in top of ch-3.

**Round 4:** Ch 4 (counts as dc, ch 1), skip next dc, dc in next dc, ch 1, \* (dc, ch 3, dc, ch 1) all in ch 3 space \*\*, [dc in next dc, ch 1, skip next dc] 4 times, dc in next dc, ch 1; repeat from \* to last 6 dc, end at \*\*; [dc in next dc, ch 1, skip next dc] 3 times; join in 3rd ch of ch 4.

**Round 5:** Ch 3, [dc in each ch 1 space and dc to corner ch 3 space, (dc, ch 3, dc) all in corner ch 3 space] 4 times, dc in each ch-1 space and dc to end; join in top of ch 3.

**Round 6:** Ch 1, sc in same st as joining, sc in each dc around and work 5 sc in each corner ch 3 space; join in first sc. Fasten off. Weave in ends.

#### Finishing

With right side facing, join 6 squares x 6 squares: hold 2 squares with wrong sides together, working through both layers at the same time, join yarn in the center corner sc (the center sc of 5 in the corner); ch 1, sc through back loops of both squares, matching st for st. Repeat until all squares are joined. Weave in ends.

#### Edging

**Round 1:** With right side facing, join yarn in any sc; ch 1, sc in each sc around and work 3 sc in center corner sc; join.

**Round 2:** Ch 3, dc in each sc around and work (dc, ch 3, dc) all in center corner sc; join.

**Round 3:** Ch 1, sc in each dc around and work 5 sc in each corner ch-3 space; join. Fasten off. Weave in ends.



## Lacy Sweet Hearts Baby Blanket

By Scarlet Taylor.

Give baby a knit blanket that shows your love with a lacy sweet heart design. Worked in soft washable yarn, this knit blanket is as charming as it is usable.

**Blanket measures 36" x 36".**



### MATERIALS:

- RED HEART® “Soft Yarn” 5 oz (140 g), 256 yd (234 m): 4 balls 6768 Pink. Or RED HEART® “Soft Baby Steps®” 5 oz (142 g), 256 yd (234 m): 4 balls 9700 Pink
- Circular knitting needles, 5mm [US 8] 29”
- Stitch markers (8)
- Yarn needle

**GAUGE:** 18 sts = 4”; 24 rows = 4” in St st. *Heart Motif* – 25 sts = 6”; 35 rows = 5”. CHECK YOUR GAUGE. Use any size needles to obtain the gauge.

**Note:** Blanket is worked back and forth in rows. Circular needles are used to accommodate large number of sts.

### Special Abbreviations:

**Sk2p:** Slip 1 st knitwise to right needle, knit next 2 sts together, pass the slip stitch over and off needle.

**Ssk:** Slip 2 sts knitwise one at a time to right needle, insert point of left needle into front of sts, and knit them together.

**Seed Stitch (worked over an odd number of sts): Row 1 (Right Side):** K1, \*p1, k1; repeat from \* across. Repeat Row 1 for Seed stitch pattern.

### INSTRUCTIONS:

#### BLANKET

Cast on 161 sts.

#### Border

Work in Seed st until piece measures 1½”—161 sts.

Work first 7 sts in Seed st as established, place marker, begin St st and knit across row to last 7 sts, place marker, work in Seed st as established to end.

Keeping first and last 7 sts in Seed st for side borders, work even in St st until piece measures 4½” from beginning, end by dec 4 sts evenly across last wrong side row between markers—157 sts.

#### Pattern Setup

**Next Row (right side):** \*Work first 7 sts in Seed st as established, work 11 sts in St st, place marker, [work Row 1 of Filigree Heart pattern from chart over next 25 sts, place marker, work 23 sts in St st, place marker] 2 times, work Row 1 of Filigree Heart pattern from chart over next 25 sts, place marker, work 11 sts in St st, work in Seed st as established across remaining 7 sts.

Work in pattern as established until Row 35 of chart has been completed.

**Next Row (Wrong Side):** Seed st 7 sts, purl across row to last 7 sts removing all but first and last markers, Seed st 7 sts.\*\* Keeping first and last 7 sts in Seed st, and sts between markers in St st, work even for 6” more, end by working a wrong side row.

Repeat from \* to \*\*, then keeping first and last 7 sts in Seed st, and sts between markers in St st, work even for 6”, end wrong side row.

Repeat from \* to \*\* once more, inc 4 sts evenly across last row between markers—161 sts.

Keeping first and last 7 sts in Seed st, and sts between markers in St st, work even for 3”, end by working a wrong side row.

#### Border

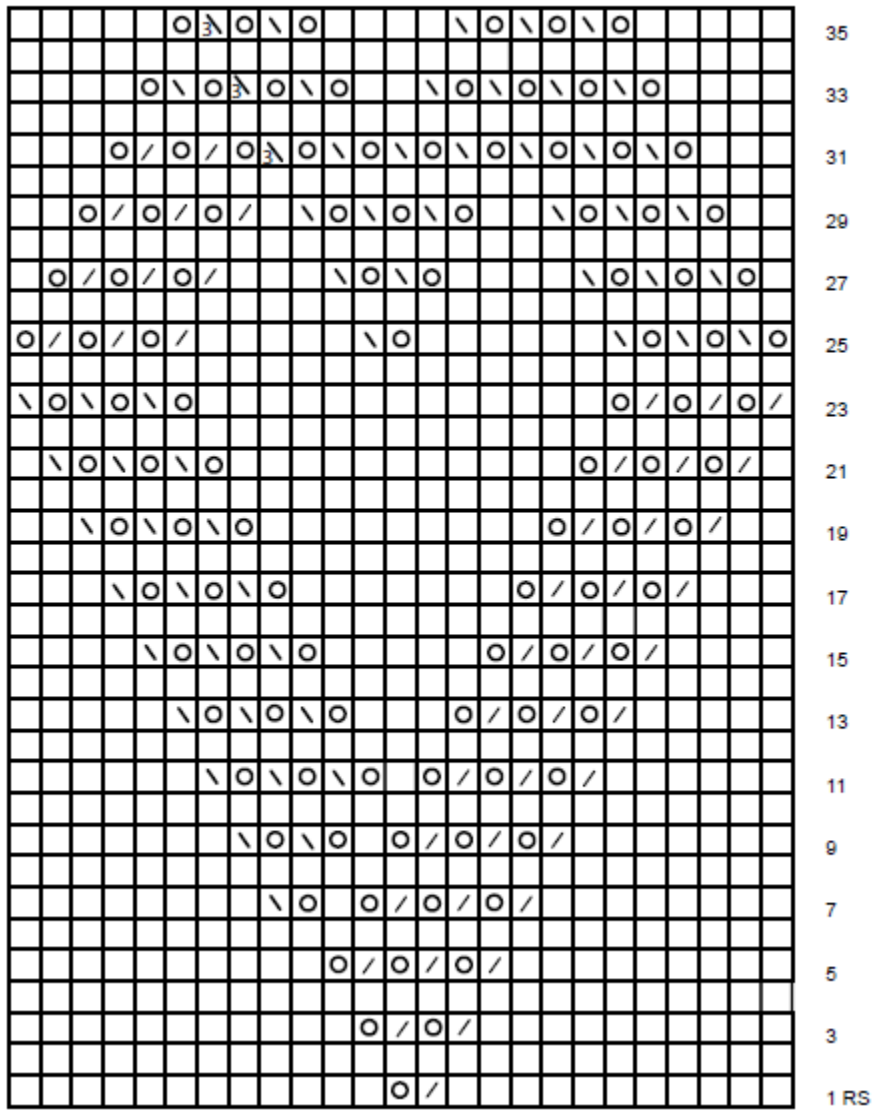
Work in Seed st for 1½”, removing markers.

### FINISHING

Weave in ends.



### Filigree Heart Pattern



STITCH KEY

- K on right side, p on wrong side
- Yarn over (yo)
- Ssk
- K2tog
- Sk2p



## Striped Baby Blankie and Playful Puppy Pal

By Jean Adel

Combine multicolor yarn with solid yarn for a soft and easy blanket to welcome baby. This same yarn is also used to knit the playful puppy pal that baby is sure to love.

**Blankie measures 18" x 18".**  
**Puppy measures 7" x 7".**



### MATERIALS:

- RED HEART® "Buttercup™" 1.76 oz (50 g), 72 yd (66 m) balls:
  - Blankie:** 2 balls 4276 Light Blue Multi **A**, 1 ball each 4270 White **B** and 4272 White Coral Multi **C**;
  - Puppy Pal:** 1 ball each 4276 Light Blue Multi **A**, and 4272 White Coral Multi **B**
- Knitting needles, 6mm [US 10]
- Polyester fiberfill for puppy stuffing
- Small amount of blue yarn for puppy face embroidery
- Yarn needle

**GAUGE:** 10 sts = 4"; 16 rows = 4" in Garter st. CHECK YOUR GAUGE. Use any size needles to obtain the gauge.

### Special Abbreviation

**M1 (make one stitch)** = Lift running thread before next stitch onto left needle and knit into the back loop.

**Note:** When working stripe sequence for Blankie pattern, carry yarns not in use up side of work.

### INSTRUCTIONS:

#### BLANKIE

With **A**, cast on 45 sts.

Work in Garter st (k every row) and repeat Stripe Sequence as follows: 4 rows with **A**, 4 rows with **B**, 4 rows with **A**, 4 rows with **C**. Repeat Stripe Sequence in Garter st until piece measures 18" from beginning. Bind off.

#### FINISHING

Weave in yarn ends.

### INSTRUCTIONS:

#### PUPPY PAL

##### Legs (Make 4)

With **A**, cast on 5 sts.

Work 10 rows in Garter st (k every row). Bind off leaving a long tail.

##### Body Side (Make 2)

With **A**, cast on 20 sts.

Work in Garter st for 7". Bind off leaving a long tail.

##### Ears (Make 2)

With **B**, cast on 3 sts.

**Row 1:** Knit.

**Row 2:** K1, m1, k to last 2 sts, m1, k1–5 sts.

Repeat Rows 1 and 2 twice more–9 sts.

Work 9 rows even in Garter st. Bind off.

##### Tail

With **A**, cast on 10 sts.

Work 3 rows in Garter st. Bind off.

#### FINISHING

With wrong sides facing, sew body sides together along 3 sides. Turn piece inside out and stuff. Sew remaining side closed. Referring to photo, attach pieces as follows: Pin 1 leg to each front and back side edge of body, sew in place.

Center ears on each front side edge of body, sew in place.

Sew tail in place. Embroider eyes, mouth and nose on face. Weave in yarn ends.





## Crocheted Bunny Toy

By Michele Wilcox

This little crocheted bunny is just the right size for tiny hands. Crochet this bunny toy for baby or toddler to hold, cuddle, and love.

**Bunny measures 11½” tall.**



### MATERIALS:

- RED HEART® “Baby Econo” solid color 7 oz (198 g), 675 yd (617 m) and pompadour solid color and multi color 6oz (170 g), 460 yd (421 m) skeins: 1 skein each 1982 Rainbow Sherbet Multi **A** and 1722 Lt Pink **B**
- Crochet hook, 3.75mm [F-5]
- Small amount of pearl cotton in blue and dk grey
- Polyester fiberfill stuffing
- Yarn needle

**GAUGE:** 4 sc = 1”; 4 rounds = 1”. CHECK YOUR GAUGE. Use any size hook to obtain the gauge.

### INSTRUCTIONS:

### BUNNY

**Head and Body:** Beginning at top of head with **A**, ch 2.

**Round 1:** 6 sc in 2nd ch from hook – 6 sc.

**Round 2:** 2 sc in each sc around – 12 sc.

**Round 3:** [Sc in next 3 sc, 2 sc in each of next 3 sc] 2 times – 18 sc.

**Round 4:** [Sc in next 2 sc, 2 sc in next sc] around – 24 sc.

**Round 5:** Sc in next 6 sc, 2 sc in each of next 3 sc, sc in next 9 sc, 2 sc in each of next 3 sc, sc in remaining 3 sc – 30 sc.

**Round 6:** Sc in each sc around.

**Round 7:** [Sc in next 4 sc, 2 sc in next sc] around – 36 sc.

**Rounds 8 – 17:** Sc in each sc around.

**Round 18:** [Sc in next sc, sc2tog over next 2 sc] around – 24 sc.

**Round 19:** [Sc in next 2 sc, sc2tog over next 2 sc] around – 18 sc.

**Round 20:** Sc in each sc around.

**Round 21:** [Sc in next sc, 2 sc in next sc] around – 27 sc.

**Rounds 22 – 33:** Sc in each sc around.

**Rounds 34 & 35:** [Sc in next sc, sc2tog over next 2 sc] around – 12 sc after Round 35. Stuff.

**Round 36:** Sc2tog around – 6 sc. Draw remaining sts together and secure. Embroider satin st eyes with blue pearl cotton and satin st nose and straight st mouth with grey.

**Ear (make 2):** With **A**, ch 2.

**Rounds 1 – 3:** Repeat Rounds 1 – 3 of head – 18 sc.

**Rounds 4 – 11:** Sc in each sc around. Fasten off. Stuff ear very lightly. Fold bottom of ear in half and sew tog through all thicknesses. Sew in place on top of head.

**Leg (make 2):** With **A**, ch 2.

**Round 1:** 6 sc in 2nd ch from hook.

**Round 2:** 2 sc in each sc around – 12 sc.

**Round 3:** [Sc in next sc, 2 sc in next sc] around – 18 sc.

**Rounds 4 – 7:** Sc in each sc around.

**Round 8:** [Sc2tog over next 2 sc] 3 times, sc in remaining 12 sc – 15 sc.

**Rounds 9 – 11:** Sc in each sc around. Fasten off. Stuff and sew in place.

**Arm (make 2):** With **A**, ch 2.

**Round 1:** 5 sc in 2nd ch from hook – 5 sc.

**Round 2:** 2 sc in each sc around – 10 sc.

**Round 3:** [Sc in next sc, 2 sc in next sc] around – 15 sc.



## Baby Love eBook from Red Heart Yarn

**Rounds 4 – 9:** Sc in each sc around. Fasten off. Stuff and sew in place.

**Tail:** With **A**, make a pompon by wrapping yarn around a 2” piece of cardboard 40 times. Slide off and tie tightly at center of loops. Cut loops and trim. Sew in place.

**Sweater:** With **B**, ch 11.

**Row 1:** Sc in 2nd ch from hook and each remaining ch across, ch 1, turn – 10 sc.

**Rows 2 – 6:** Working in back loops only, sc in each sc across, ch 1, turn.

**Row 7:** Working in back loops only, sc in next 2 sc, ch 5, skip 5 sc (armhole made), sc in back loops of remaining 3 sc, ch 1, turn.

**Row 8:** Working in back loops only, sc across in each sc and ch across, ch 1, turn – 10 sc.

**Rows 9 – 18:** Working in back loops only, sc in each sc across, ch 1, turn.

**Row 19:** Repeat Row 7.

**Row 20:** Repeat Row 8.

**Rows 21 – 25:** Repeat Row 9. Fasten off.

### Armhole Trim:

**Round 1:** Join **B**, work 14 sc around armhole opening.

**Round 2:** Sc in next sc, \*ch 1, sc in next sc; repeat from \* around. Fasten off. Repeat on other armhole.

### Bottom Trim:

**Row 1:** Join **B**, work 25 sc across bottom of sweater, ch 1, turn.

**Row 2:** \*Slip st in sc, ch 3; repeat from \* around, ending with slip st in last sc. Put sweater on bunny with opening in back and sew back seam. Weave in ends.



## Easy One Ball Baby Blanket & Hat Set

By Marianne Forrester

Crochet an easy baby blanket and hat in your favorite color. The charming scalloped edge and delicate pattern are sure to please.

**Blanket measures 39" x 32".**

**Hat fits 6-9 month-old.**



### MATERIALS:

- RED HEART® "Baby Blankie™" 16 oz (453 g), 819 yd (749 m) balls: 1 ball 8590 Lavender
- Crochet hooks, 6.5mm [US K-10.5] and 4mm [US G-6]
- Yarn needle

**GAUGE:** 2 repeats = 4"; 7 rows = 4" in pattern with larger hook. CHECK YOUR GAUGE. Use any size hook to obtain the gauge.

### INSTRUCTIONS:

#### BLANKET

With larger hook, ch 90.

**Row 1 (Right Side):** Dc in 6th ch from hook, dc in next 4 ch, ch 1, skip next ch, [dc in next 5 ch, ch 1, skip next ch] 13 times, dc in last ch; turn.

**Row 2:** Ch 3, dc in first dc, \* ch 2, skip next 2 dc, sc in next dc, ch 2 \*\*, 3 dc in next ch-1 space; repeat from \* to last 2 sts, end at \*\*; skip next ch, 2 dc in next ch; turn.

**Row 3:** Ch 3, dc in next dc, \* dc in next ch-2 space, ch 1, dc in next ch-2 space \*\*, dc in next 3 dc; repeat from \* to last 2 sts, end at \*\*; dc in next dc and top of ch-3; turn.

**Row 4:** Ch 1, sc in first dc, \* ch 2, 3 dc in next ch-1 space, ch 2, skip next 2 dc, sc in next dc; repeat from \* across working last sc in top of ch-3; turn.

**Row 5:** Ch 4, \* dc in ch-2 space, dc in next 3 dc, dc in next ch-2 space, ch 1; repeat from \* to last st; dc in last sc; turn.

**Rows 6-65:** Repeat Rows 2-5 fifteen times. Do not turn at end of last row but pivot to work down next side.

**Border: Round 1:** With right side still facing, work sc evenly around all 4 sides and work 3 sc in each corner; join with a slip st in first sc.

**Round 2:** \* Ch 3, dc in same st, skip next 2 sc, slip st in next sc; repeat from \* around adjusting as necessary at corners and end of round; join in first st of round. Fasten off. Weave in ends.

#### HAT

With smaller hook, ch 4; join with a slip st in first ch to form a ring.

**Round 1:** Ch 3 (counts as dc), 11 dc in ring; join with a slip st in top of ch-3 – 12 dc.

**Round 2:** Ch 3, dc in same st as joining, [2 dc in next dc] 11 times; join – 24 dc.

**Round 3:** Ch 3, dc in same st as joining, dc in next dc, [2 dc in next dc, dc in next dc] 11 times; join – 36 dc.

**Round 4:** Ch 3, dc in same st as joining, dc in next 2 dc, [2 dc in next dc, dc in next 2 dc] 11 times; join – 48 dc.

**Round 5:** Ch 3, dc in same st as joining, dc in next 3 dc, ch 1, [dc in next 5 dc, ch 1] 4 times, 2 dc in next dc, dc in next 3 dc, ch 1, [dc in next 5 dc, ch 1] 4 times; join – 50 dc and 10 ch-1 spaces.

**Round 6:** Slip st in next dc, (slip st, ch 1, sc) all in next dc, \*ch 2, 3 dc in next ch-1 space, ch 2 \*\*, skip next 2 dc, sc in next dc; repeat from \* around, end at \*\*; join in first sc.

**Round 7:** Slip st in next ch-2 space, ch 3, \* dc in next 3 dc, dc in next ch-2 space, ch 1 \*\*, dc in next ch-2 space; repeat from \* around, end at \*\*; join.

**Rounds 8-12:** Repeat Rounds 6 and 7 twice, and then repeat Round 6 once more.

**Round 13:** Ch 3, \* dc in next ch-2 space, dc in next 3 dc, dc in next ch-2 space \*\*, dc in next sc; repeat from \* around, end at \*\*; join – 60 dc.

**Round 14:** Ch 3, dc in each dc around; join.

**Round 15:** Ch 3, dc in front loop of each dc around; join.

**Round 16:** Ch 3, dc in both loops of each dc around; join.

Fasten off. Weave in ends. Fold up last 2 rounds.



## Clothes for Baby

### Cozy Soft Baby Cocoon and Hat

By Kim Kotary

Welcome baby into our world with the soft, secure feel of this cozy cocoon and hat. Crochet this easy duo to keep baby safely snuggled.

**Directions are for Newborn to 3 months.**  
**Finished Cocoon Circumference: 24".**  
**Finished Hat Circumference: 18".**



#### MATERIALS:

- RED HEART® “Buttercup™” 1.76 oz (50 g), 72 yd (66 m) balls: 4 balls 4277 Light Mint Multi
- Crochet hook, 6.5mm [US K-10.5]
- 2 Split-lock stitch markers
- Yarn needle

**GAUGE:** 9 sts = 4”; 8 rounds = 4” in sc. CHECK YOUR GAUGE. Use any size hook to obtain the gauge.

#### INSTRUCTIONS:

##### COCOON

**Round 1:** Beginning at lower edge, ch 9; sc in 2nd ch from hook and in next 6 ch, 3 sc in last ch, PM in center sc of the last 3 sc, working on opposite side of ch, sc in next 6 ch, 2 sc in last ch, PM in last sc made – 18 sc. Do not join but work in continuous rounds. Move markers up each round.

**Next Round:** [Sc in each sc to 1 sc before marked sc, 2 sc in next sc, sc in marked sc] twice – 20 sc. Repeat last round until there are 54 sc.

##### Body

Work even on 54 sc until 21” from beginning. Fasten off. Weave in ends. Fold top edge down for cuff.

##### HAT

**Round 1:** Beginning at top of hat, ch 5; sc in 2nd ch from hook and in next 2 ch, 3 sc in last ch, PM in center sc of the last 3 sc, working on opposite side of ch, sc in next 2 ch, 2 sc in last ch, PM in last sc made – 10 sc. Do not join but work in continuous rounds. Move markers up each round.

**Next Round:** [Sc in each sc to 1 sc before marked sc, 2 sc in next sc, sc in marked sc] twice – 12 sc. Repeat last round until there are 42 sc.

##### Body

Work even on 42 sc until 8” from beginning. Fasten off. Weave in ends. Fold bottom edge up for cuff.





## Soft and Cuddly Huggable Hoodie

By Grace Alexander

This easy cuddly hoodie is great for newborn to 24-month-old. Whether you choose multicolored yarn or solids, you'll love this fluffy knit jacket.

**Directions are for size 3-6 months. Changes for sizes 12 months, 18 months and 24 months are in parentheses.**

**Finished Chest:** 22 (24, 26, 28)”.  
**Finished Length:** 11 (12, 13, 14)”.



### MATERIALS:

- RED HEART® “Buttercup™” 1.76 oz (50 g), 72 yd (66 m) balls: 4 (4, 5, 5) Balls in 4272 White Coral Multi
- Knitting needles, 8mm [11 US] straight
- Circular needles: 8mm [11 US], 24” long
- Stitch holder
- Yarn needle
- Pompom maker

**GAUGE:** 10 sts = 4”; 14 rows = 4” in Stockinette stitch. CHECK YOUR GAUGE. Use any size needles to obtain the gauge.

### Special Abbreviations

**K2tog:** Knit 2 sts together.

**P2tog:** Purl 2 sts together.

**Sk2p:** Slip 1 st, k2tog, pass slip st over.

### INSTRUCTIONS:

#### SWEATER

##### Back

Cast on 29 (31, 33, 35) sts.

**Rows 1-2:** K1, [p1, k1] across.

Change to St st and work until piece measures 11 (12, 13, 14)” from beginning, end with a wrong side row.

##### Shape Shoulders

Bind off 8 (9, 9, 10) sts, work center 13 (13, 15, 15) sts and slip sts to a stitch holder for Hood, bind off remaining 8 (9, 9, 10) sts.

##### Front

Work as for Back until piece measures 8 (9, 10, 11)” from beginning, end with a wrong side row.

##### Shape Neck

**Next Row (Right Side):** K12 (13, 14, 15) sts, k2tog, sk2p, k12 (13, 14, 15) sts.

**Next Row:** P11 (12, 13, 14) sts, p2tog, join second ball of yarn, p2tog, p11 (12, 13, 14) sts – 12 (13, 14, 15) sts each side.

Working both sides at same time with separate balls of yarn, dec 1 st at each Neck edge every row 4 (4, 5, 5) times more – 8 (9, 9, 10) sts each side.

Work until piece measures same length as Back to Shoulders.

Bind off.

##### Sleeves

Cast on 17 (17, 19, 19) sts.

**Rows 1-4:** K1, [p1, k1] across.

Change to work in St st, inc 1 st each side every other row 4 (5, 5, 6) times – 25 (27, 29, 31) sts.

Work even until piece measures 6½ (7½, 8½, 10½)” from beginning, end with a wrong side row.

Bind off.

### FINISHING

Sew shoulder seams.

#### Hood

With right side facing and circular needle, join yarn at center Front Neck edge, pick up and knit 8 (9, 9, 9) sts along Right Front Neck edge, 13 (13, 15, 15) sts from Back Neck stitch holder, 8 (9, 9, 9) sts from Left Front Neck – 29 (31, 33, 33) sts.

Working back and forth in rows, work in St st until Hood measures 10 (10½, 11, 11½)” from beginning, end with a wrong side row.

Bind off.

Fold Hood in half along bind-off edge and sew together.

#### Edging

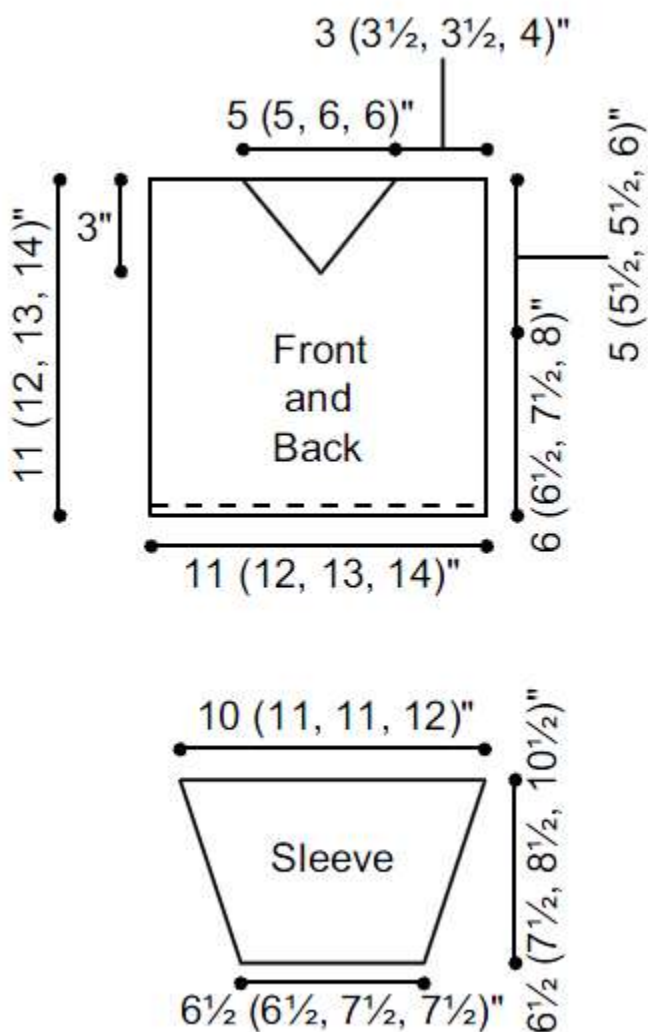


With right side facing and circular needle, join yarn at center of Front Neck edge, pick up and knit 49 (51, 53, 55) sts around Front edge of Hood.

**Rows 1-3:** Working back and forth in rows, k1, [p1, k1] across.  
Bind off in pattern.

Measure and mark 5 (5½, 5 ½, 6)" down from Shoulder along each side edge of Front and Back. Sew tops of Sleeves between markers. Sew side and Sleeve seams.

Using pompom maker, mark a pompom and sew on tip of Hood.  
Weave in ends.





## Easy-to-Knit Sweet Baby Hat

By Sandy Harris

Though basic in structure and pattern, this hat is a perfect addition to your baby's wardrobe. Keep baby's little head warm with an easy knit baby hat.



Directions are for size **Preemie**; changes for size **Baby** are in parentheses.  
Hat Circumference: 12" (14").

### MATERIALS:

- RED HEART® "Soft Yarn" 4 oz (113 g), 204 yd (187 m) balls: 1 ball 9930 Baby Print
- Knitting needles, 5mm [US 8]
- Yarn needle

**GAUGE:** 16 sts = 4"; 23 rows = 4" in St st.  
**CHECK YOUR GAUGE.** Use any size needle to obtain the gauge.

### **K2, p2 Rib (worked over a multiple of 4 sts)**

**Row 1 (Right Side):** \* K2, p2; repeat from \* across.

Repeat Row 1 for K2, p2 rib.

### **INSTRUCTIONS:**

#### **HAT**

Cast on 48 (56) sts.

#### **Brim**

Work in K2, p2 rib for 1 (1½)", end by working a wrong side row.

Begin St st with a k row, and work even until piece measures 4½ (5½)" from beginning, end by working a wrong side row.

#### **Shape Crown**

**Row 1:** \* K6, K2tog; repeat from \* across—42 (49) sts.

**Rows 2, 4, 6, 8, 10, and 12 (Wrong Side):** Purl across.

**Row 3:** \* K5, k2tog; repeat from \* across—36 (42) sts.

**Row 5:** \* K4, k2tog; repeat from \* across—30 (35) sts.

**Row 7:** \* K3, k2tog; repeat from \* across—24 (28) sts.

**Row 9:** \* K2, k2tog; repeat from \* across—18 (21) sts.

**Row 11:** \* K1, k2tog; repeat from \* across—12 (14) sts.

Cut yarn, leaving an 8" tail. Thread through remaining sts, pull tightly to secure.

#### **FINISHING**

Sew back seam. Weave in yarn ends.



## Fluffy Crocheted Cotton Candy Booties

By Linda Cyr

Fluffy crocheted booties keep those adorable baby toes warm and toasty. Multicolored yarn gives a confetti-look that goes with everything!

Boots should fit most babies 6-12 months.

**Foot Length:** 4".



### MATERIALS:

- RED HEART® "Buttercup™" 1.76 oz (50 g), 72 yd (66 m) balls: 1 ball 4274 Petal Pink Multi OR 4272 White Coral Multi
- Crochet hook, 8mm [US L-11]
- Yarn needle

**GAUGE:** 9 sts = 4" in sc. CHECK YOUR GAUGE. Use any size hook to obtain the specified gauge.

### Special Stitch

**hdc2tog** = [Yarn over, insert hook in next stitch, yarn over and pull up loop] 2 times, yarn over and draw through all 5 loops on hook

### INSTRUCTIONS:

#### BOOTIE (make 2)

Ch 8.

**Round 1:** Work 2 dc in 3rd ch from hook, dc in next 4 ch, 6 dc in last ch, turn to work along opposite side of beginning ch, dc in next 4 ch, 3 dc in last ch, slip st in top of beginning ch to join.

**Round 2:** Ch 1, sc in back loops only in each st around, slip st in beginning ch to join.

**Round 3:** Ch 1, sc in next 5 sts, [hdc2tog] 4 times, sc in next 6 sts, slip st in beginning ch to join.

**Round 4:** Ch 1, sc in next 5 sts, [hdc2tog] 2 times, sc in next 6 sts, slip st in beginning ch to join.

**Rounds 5-7:** Ch 1, sc in each st around, slip st in beginning ch to join.

**Round 8:** Ch 1, slip st in each st around, slip st to beginning ch to join.

Fasten off.

### FINISHING

Weave in ends.





## Super-Cute Crocheted Cupcake Hat

By Nazanin Fard

Cupcakes are all the rage and this super-cute crocheted hat captures that whimsical trend. Crochet this intermediate-level hat for the little one in your life.

**Directions for hat are for size Small. Changes for Large are in parentheses.**

**Hat circumference:** 14 (16)".



### MATERIALS:

- TLC® “Baby” 6 oz (170 g), 490 yd (448 m): 1 skein each 5737 Powder Pink **A** and 5011 White **C**
- RED HEART® “Buttercup™” 1.76 oz (50 g), 72 yd (66 m) balls: 1 skein 4276 Light Blue Multi **B**
- Crochet hook, 6.5 mm [US K-10½]
- Yarn needle

**Gauge:** With 2 strands of **A**, 14 sts = 4". CHECK YOUR GAUGE. Use any size hook to obtain the gauge.

### SPECIAL ABBREVIATIONS

**Bpdc (Back post double crochet)** = Yo, insert hook from the back side of the work to front and to back again around the post of the indicated stitch on a previous row; yo and pull up a loop (3 loops on hook), yo and draw through two loops (2

loops on hook), yo and draw through two loops (1 loop on hook)

**Fpdc (Front post double crochet)** = Yo, insert hook from the front side of the work to back and to front again around the post of the indicated stitch on a previous row; yo and pull up a loop (3 loops on hook), yo and draw through two loops (2 loops on hook), yo and draw through two loops (1 loop on hook)

**sc2tog** = [draw up a loop in next st] twice, yo and draw through all 3 loops on hook.

### INSTRUCTIONS:

#### HAT

##### Band

With 2 strands of **A** held together as one, ch 48 (56), and without twisting ch, join into a ring with slip st in first ch.

**Round 1 (right side):** Ch 3 (count as dc here and throughout), dc in each ch around, join with slip st in top of beginning ch – 48 (56) dc.

**Rounds 2-4:** Ch 3, Fpdc around the post of next st, \*Bpdc around the post of next 2 sts\*\*, Fpdc around the post of next 2 sts; repeat from \* around, ending last repeat at \*\*, join with slip st around the post of beginning ch-3.

##### Ruffle

**Round 5:** Ch 1, sc in tfl ONLY of each dc around, join with slip st in first sc.

**Round 6:** Ch 1, sc in first st, \*skip next sc, 5 dc in next sc, skip next sc, sc in next sc; repeat from \* around, omitting last sc, join with sl st in first sc – 12 (14) shells. Fasten off.

##### Crown

**Round 1:** With right side facing, join one strand of **B** in remaining back loop of any st in round 4 of band, ch 1, working tbl ONLY, sc in each dc around, join with slip st in first sc.

**Round 2:** Ch 1, sc in each of first 6 sc, \*sc2tog in next 2 sts\*\*, sc in each of next 6 sc; repeat from \* around, ending last repeat at \*\*, join with slip st in first sc – 42 (49) sc.

**Round 3:** Ch 1, sc in each of first 5 sc, \*sc2tog in next 2 sts\*\*, sc in each of next 5 sc; repeat from \* around, ending last repeat at \*\*, join with slip st in first sc – 36 (42) sc.

**Round 4:** Ch 1, sc in each of first 4 sc, \*sc2tog in next 2 sts\*\*, sc in each of next 4 sc; repeat from \* around, ending last repeat at \*\*, join with slip st in first sc – 30 (35) sc.

**Round 5:** Ch 1, sc in each of first 3 sc, \*sc2tog in next 2 sts\*\*, sc in each of next 3 sc; repeat from \* around, ending last repeat at \*\*, join with slip st in first sc – 24 (28) sc.



## Baby Love eBook from Red Heart Yarn

**Round 6:** Ch 1, sc in each of first 2 sc, \*sc2tog in next 2 sts\*\*, sc in each of next 2 sc; repeat from \* around, ending last repeat at \*\*, join with slip st in first sc – 18 (21) sc.

**Round 7:** Ch 1, \*sc2tog in next 2 sts; repeat from \* around, sc in last 0 (1) st, join with slip st in first sc – 9 (11) sc.

**Round 8:** Ch 1, \*sc2tog in next 2 sts; repeat from \* around, sc in last st, join with slip st in first sc – 5 (6) sc.

**Round 9:** Ch 1, \*sc2tog in next 2 sts; repeat from \* around, sc in last 1 (0) st, join with slip st in first sc – 3 (3) sc. Fasten off.

### **FINISHING**

Weave in ends.

With **C**, make a pompom and attach it to the top of the hat



## Whimsical Knit Cupcake Hat

By Nazanin Fard

Use your knitting skills for create this whimsical cupcake hat. Using a fluffier yarn gives the look of frosting.

**Directions are for size Baby; changes for size Toddler are in parentheses.**

**Hat Circumference:** 14 (16)”.



### MATERIALS:

- TLC® “Baby” 6 oz (170 g), 490 yd (448 m): 1 skein each 5737 Powder Pink **A**, and 5011 White **B**
- RED HEART® “Buttercup™” 1.76 oz (50 g), 72 yd (66 m) balls: 1 ball 4272 White Coral **C**
- Circular knitting needles, 6mm [US 10] 20” long
- Double pointed needles, 1 set 6mm [US 10]
- Stitch markers (5)
- Yarn needle

**GAUGE:** 16 sts = 4”; 24 rounds = 4” in K2, p2 rib with 2 strands A held together. CHECK YOUR GAUGE. Use any size needles to obtain the gauge.

### Notes

Colors **A** and **B** are each worked holding two strands of the same color together as one. Color **C** is worked with one strand.

Hat is worked in the round. As stitches are decreased and no longer fit on circular needle, divide them among 3 double pointed needles to complete.

**K2, p2 Rib (multiple of 4 sts)**

**Round 1:** \* K2, p2; repeat from \* around.

Repeat Round 1 for K2, p2 rib.

### INSTRUCTIONS:

#### HAT

With 2 strands **A** and circular needle, cast on 56 (64) sts.

Place marker for beginning of round and join, being careful not to twist sts.

**Rounds 1–12:** Work in K2, p2 rib.

Cut **A**.

**Round 13:** With 2 strands **B**, k even around.

**Round 14:** \* K1, yo; repeat from \* around—112 (128) sts.

**Rounds 15 and 17:** K even around.

**Round 16:** P even around.

**Round 18:** K2tog around— 56 (64) sts.

Cut **B** leaving a 20” tail.

#### Shape Crown

**Round 1:** With 1 strand **C**, \* k14 (16), place marker; repeat from \* around.

**Round 2:** \* K to 2 sts before marker, k2tog; repeat from \* around—52 (60) sts.

Repeat Round 2, 9 (11) times more—16 sts.

**Next Round:** K2tog around—8 sts.

**Next Round:** K2tog around—4 sts.

**Next Round:** K2tog around—2 sts. Bind off.

#### FINISHING

With tail left at the end of round 18, sew round 13 to round 18 to create a ruffle around the hat.

Weave in yarn ends.

#### POMPOM

With **B**, make one 1” pom-pom (or desired size).

Attach to top of hat.



## Ribs All Around Baby Jacket and Bonnet

By Gayle Micallef

This easy jacket and bonnet will be Mom's favorite solution taking baby out on chilly mornings and evenings. No matter what color you work it in, you'll enjoy knitting this jacket with cute ribbed pattern around the neck and shoulders.



**Cardigan directions are for size 6 months; changes for sizes 12 months and 18 months are in parentheses.**

**Bonnet directions are for size Small; changes for sizes Medium and Large are in parentheses.**

**Finished Chest:** 22 (24, 26½)”.  
**Finished Length:** 8¾ (9¾, 10¼)”.

### MATERIALS:

- RED HEART® “Smoothie™” 3.5 oz (100 g), 218 yd (200 m) balls:
  - Cardigan:** 2 balls 4390 White;
  - Bonnet:** 1 ball 4390 White
- Circular Knitting Needles: 4.5mm [US 7] 29”
- Knitting Needles: 4.5mm [US 7]
- Spare knitting needle
- Stitch holders (2)
- Yarn needle
- 4 buttons

- Silk ribbon
- Silk rosette

**GAUGE:** 20 sts = 4”; 40 rows = 4” in Garter st. CHECK YOUR GAUGE. Use any size needles to obtain the gauge.

### Notes

Jacket is worked back and forth in rows. Circular needles are used to accommodate large number of stitches. Back and Fronts are worked in one piece to the armholes, then joined with sleeves to work yoke.

### INSTRUCTIONS:

#### JACKET

##### Body

With circular needles, cast on 110 (121, 132) sts. Work even in Garter st (k every row) until piece measures 4¾ (5, 5½)” from beginning, end by working a wrong side row.

##### Divide for Fronts and Back

K26 (29, 32) sts for Right Front, bind off 6 sts, k46 (51, 56) sts for Back, bind off 6 sts, k26 (29, 32) sts for Left Front.

Place all sts on a spare needle.

##### Sleeves (make 2)

With knitting needles, cast on 22 (28, 30) sts. Begin Garter st and shape sleeve by inc 1 st at beginning and end of every 16th (8th, 10th) row 2 (5, 5) times—26 (38, 40) sts.

Work even until piece measures 4¾ (6, 7)” from beginning, end by working a right side row.

Bind off 3 sts at beginning of next 2 rows. Place remaining 20 (32, 34) sts on holder.

##### Shape Yoke

With wrong side facing and circular needles, p across sts left waiting on spare needle and holders as follows: 26 (29, 32) sts from Left front, 20 (32, 34) sts from Left Sleeve, 46 (51, 56) sts from Back decreasing 2 (1, 2) sts evenly across, 20 (32, 34) sts from Right Sleeve, 26 (29, 32) sts from Right Front—136 (172, 186) sts.

**Row 1 (Right Side):** Knit.

**Row 2:** K8 (9, 8), [k2tog, k5 (6, 6,)] 17 (19, 21) times, k2tog, k7 (9, 8)—118 (152, 164) sts.

**Row 3 (Buttonhole Row):** P2 (2, 3), yo, p2tog, p to end.

**Rows 4 and 5:** Knit.

**Row 6:** Purl.

**Row 7:** Knit.

**Row 8:** K7 (8, 7), [k2tog, k4 (5, 5)] 17 (19, 21) times, k2tog, k7 (9, 8)—100 (132, 142) sts.

**Rows 9 – 13:** Repeat Rows 3 - 7, omitting buttonhole.





**Row 14:** K7 (8, 7), [k2tog, k3 (4, 4)] 17 (19, 21) times, k2tog, k6 (8, 7)—82 (112, 120) sts.

**Rows 15 – 19:** Repeat Rows 3 – 7.

**Row 20:** K6 (7, 6), [k2tog, k2 (3, 3)] 17 (19, 21) times, k2tog, k6 (8, 7)—64 (92, 98) sts.

**Rows 21 – 25:** Repeat Rows 3 – 7, omitting buttonhole.

**Row 26:** K6 (7, 6), [k2tog, k1 (2, 2)] 17 (19, 21) times, k2tog, k5 (7, 6)—46 (72, 76) sts.

**For sizes 12 and 18 mos only**

**Rows 27 – 31:** Repeat Rows 3 – 7.

**Row 32:** K6 (5), [k2tog, k1] 19 (21) times, k2tog, k7 (6)—52 (54) sts.

**For all sizes**

Knit 1 row even.

**Next Row (Buttonhole Row):** K across row to last 4 (4, 5) sts, k2tog, yo, k2 (2, 3).

Knit 3 rows even. Bind off.

**FINISHING**

Sew sleeve and side seams. Sew on buttons to correspond to buttonholes.

**INSTRUCTIONS:**

**BONNET**

With circular needles, cast on 51 (61, 67) sts.

**Row 1 (Wrong Side):** Knit.

**Row 2:** Purl.

**Rows 3 and 4:** Knit.

**Row 5:** Purl.

**Row 6:** Knit.

**Rows 7 - 12:** Repeat Rows 1 – 6.

Work even in Garter st (k every row) until piece measures 3 (3½, 4)" from beginning, end by working a wrong side row.

**Back Panel**

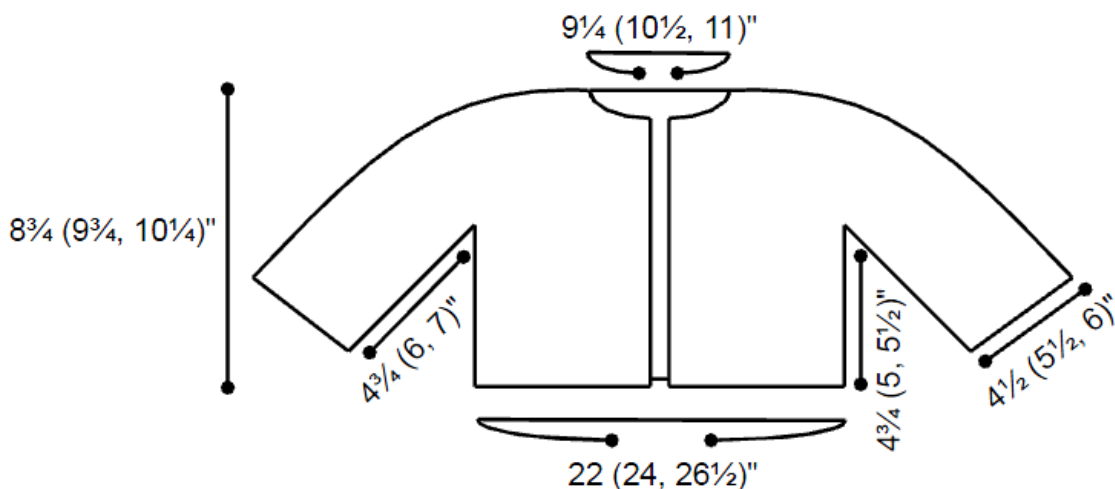
Bind off 19 (21, 23) sts at beginning of next 2 rows—13 (19, 21) sts. Continue even for 3½ (4, 4½)", end by working a wrong side row. Bind off.

**FINISHING**

Fold bonnet in half and sew seams on each side of center back panel.

With right side facing, pick up and k45 (55, 61) sts across lower edge of bonnet. Work 4 rows in Garter st. Bind off.

Cut 2 lengths silk ribbon and sew one to each side, folding cut end under twice. Attach ribbon rosette as desired.





## Ruffle-Bottomed Baby Girl Soakers

By Sharon Mann

Too cute for words, these ruffle-bottomed baby girl soakers are a fun addition to your baby's wardrobe. Crochet several pairs in your favorite color combination!



Directions are for size 6 months. Changes for sizes 12 months, 18 months, and 24 months are in parentheses.

**Finished Waist:** 19 (21, 22, 23)"

**Finished Rise (from waist to crotch):** 7½ (8, 8½, 9)"

**Note:** Drawstring will reduce waist sizes for smaller sized babies.

### MATERIALS:

- TLC® "Baby" solid color 6 oz (170 g), 490 yd (448 m) and multi color and sparkle 5 oz (141 g), 360 yd (329 m) skeins: 1 skein each 5930 Neapolitan **A**, 5737 Powder Pink **B**
- Crochet hook, 4.25mm [US G-6]
- Yarn needle

**GAUGE:** 14 sts and 16 rows = 4" in pants pattern. **CHECK YOUR GAUGE. Use any size hook to obtain the gauge.**

### INSTRUCTIONS:

#### SOAKER

##### Back

##### Waist Ribbing

**Row 1:** With **A** ch 6; sc in 2nd ch from hook and in each remaining ch across, turn—5 sc.

**Row 2:** Ch 1, working in back loops only, sc in first 2 sc, ch 1, skip next sc, sc in last 2 sc, turn—4 sc and 1 ch-1 space.

**Row 3:** Ch 1, working in back loops only, sc in each sc and ch across, turn—5 sc.

**Rows 4–31 (33, 35, 37):** Repeat Rows 2 and 3.

**Row 32 (34, 36, 38):** Repeat Row 2. Fasten off.

##### Pants

**Row 1 (Right Side):** Join **A** with sc in corner of waist ribbing to work across one long edge, work 32 (36, 38, 40) more sc evenly across long edge to opposite corner, turn—33 (37, 39, 41) sc.

**Row 2:** Ch 1, sc in first sc, \*dc in next sc, sc in next sc; repeat from \* across, turn.

**Rows 3–5:** Ch 1, sc in each st across, turn; change to **B** in last st of Row 5.

##### Ruffles

**Row 6 (Wrong Side – Ruffle Row):** With **B**, ch 1, working in back loops only, sc in first sc, 3 dc in next sc, \*sc in next sc, 3 dc in next sc; repeat from \* across to last sc, sc in last sc, turn.

**Row 7:** Ch 1, working in free loops of Row 5 only, sc in each sc across, turn.

**Rows 8 and 9:** Ch 1, sc in each sc across, turn.

**Rows 10–21 (25, 25, 29):** Repeat last 4 rows 3 (4, 4, 5) times.

**Rows 22 (26, 26, 30)–25 (27, 29, 31):** Repeat Rows 6–9 (7, 9, 7).

**Row 26 (28, 30, 32):** Repeat Row 2.

**Row 27 (29, 31, 33):** Ch 1, skip first sc, sc in each st across to last 2 sc, skip next st, sc in last sc, turn—31 (35, 37, 39) sc.

**Row 28 (30, 32, 34):** Repeat Row 2. Fasten off.

##### Ruffle Finishing

With Right Side facing, working in sts of first ruffle row, join **B** in first dc of row, ch 1, 2 sc in same dc, 2 sc in next 2 dc, \*sc in next sc, 2 sc in next 3 dc; repeat from \* across to last st; leave last st unworked. Fasten off. Repeat across all ruffle rows.

##### Shape Leg Openings

**Row 1:** With Right Side facing, skip first 5 sts of Row 28 (30, 32, 34), join **A** with sc in next st, sc in each st across to last 5 sts, turn; leave remaining sts unworked—21 (25, 27, 29) sts.



**Row 2:** Ch 1, sc in first sc, \*dc in next sc, sc in next sc; repeat from \* across, turn.

**Row 3:** Ch 1, skip first sc, sc in each st across to last 2 sts, skip next st, sc in last sc, turn—19 (23, 25, 27) sts.

**Rows 4–9:** Repeat last 2 rows 3 times—13 (17, 19, 21) sts.

**Rows 10 and 11:** Ch 1, sc in each st across, turn. Fasten off.

#### Front

#### Waist Ribbing

Work same as waist ribbing for back.

#### Pants

**Row 1 (Right Side):** Work Row 1 of back pants—33 (37, 39, 41) sc.

**Row 2:** Ch 1, sc in first sc, \*dc in next sc, sc in next sc; repeat from \* across, turn.

**Row 3:** Ch 1, sc in each st across, turn.

**Rows 4–15 (17, 19, 21):** Repeat Rows 2 and 3.

Row 16 (18, 20, 22): Repeat Row 2.

**Row 17 (19, 21, 23):** Ch 1, skip first st, sc in each st across to last 2 sts, skip next st, sc in last st, turn—31 (35, 37, 39) sts.

**Row 18 (20, 22, 24):** Repeat Row 2. Fasten off.

#### Shape Leg Openings

**Row 1:** With Right Side facing, skip first 5 sts, join **A** with sc in next st, sc in each st across to

last 5 sts, turn; leave remaining sts unworked—21 (25, 27, 29) sts.

**Row 2:** Ch 1, skip first sc, sc in each st across to last 2 sts, skip next st, sc in last sc, turn—19 (23, 25, 27) sts.

**Row 3:** Ch 1, sc in first sc, \*dc in next sc, sc in next sc; repeat from \* across, turn.

**Rows 4–9:** Repeat last 2 rows 3 times—13 (17, 19, 21) sts.

Fasten off.

#### FINISHING

With Right Side facing, sew crotch seam.

#### Leg Ruffles

**Row 1:** With Right Side facing, join **B** with sc at beginning of one leg opening, work 28 (30, 31, 32) more sc evenly spaced across opening, turn—29 (31, 32, 33) sc.

**Row 2:** Ch 1, sc in first sc, \*3 dc in next sc, sc in next sc; repeat from \* across. Fasten off.

With Right Side facing, sew side seams. Weave in ends.

#### Drawstring

With 2 strands of **B** held together, ch 100 (125, 130, 135), or to desired length. Fasten off.

Beginning at center front, weave drawstring in and out of the ch-1 spaces of waist ribbing. Tie in a bow in front.



## Quick-to-Crochet Baby Boy Soakers

By Sharon Mann

This quick-to-crochet gift can be made in a wardrobe of cute colors. Cover baby's diaper with comfortable crochet soakers that you'll both love.



**Directions are for size 6 months. Changes for sizes 12 months, 18 months, and 24 months are in parentheses.**

**Finished Waist:** 19 (21, 22, 23)"

**Finished Rise (from waist to crotch):** 7½ (8, 8½, 9)"

**Note:** Drawstring will reduce waist sizes for smaller sized babies.

### MATERIALS:

- TLC® "Baby" solid color 6 oz (170 g), 490 yd (448 m) and multi color and sparkle 5 oz (141 g), 360 yd (329 m) skeins: 1 skein each 5934 Lovey **A**, 5011 White **B**
- Crochet hook, 4.25mm [US G-6]
- Yarn needle

**GAUGE:** 14 sts and 16 rows = 4" in pants pattern. CHECK YOUR GAUGE. Use any size hook to obtain the gauge.

### INSTRUCTIONS:

#### SOAKERS

##### Back - Waist Ribbing

**Row 1:** With **B**, ch 6; sc in 2nd ch from hook and in each remaining ch across, turn—5 sc.

**Row 2:** Ch 1, working in back loops only, sc in first 2 sc, ch 1, skip next sc, sc in last 2 sc, turn—4 sc and 1 ch-1 sp.

**Row 3:** Ch 1, working in back loops only, sc in each sc and ch across, turn—5 sc.

**Rows 4–31 (33, 35, 37):** Repeat Rows 2 and 3.

**Row 32 (34, 36, 38):** Repeat Row 2. Fasten off.

#### Pants

**Row 1 (Right Side):** Join **A** with sc in corner of waist ribbing to work across one long edge, work 32 (36, 38, 40) more sc evenly across long edge to opposite corner, turn—33 (37, 39, 41) sc.

**Row 2:** Ch 1, sc in first sc, \*dc in next sc, sc in next sc; repeat from \* across, turn.

**Row 3:** Ch 1, sc in each st across, turn.

**Rows 4–15 (17, 19, 21):** Repeat Rows 2 and 3.

**Row 16 (18, 20, 22):** Repeat Row 2.

**Row 17 (19, 21, 23):** Ch 1, skip first st, sc in each st across to last 2 sts, skip next st, sc in last st, turn—31 (35, 37, 39) sts.

**Row 18 (20, 22, 24):** Repeat Row 2. Fasten off.

#### Shape Leg Openings

**Row 1:** With Right Side facing, skip first 5 sts, join **A** with sc in next st, sc in each st across to last 5 sts, turn; leave remaining sts unworked—21 (25, 27, 29) sts.

**Row 2:** Ch 1, sc in first sc, \*dc in next sc, sc in next sc; repeat from \* across, turn.

**Row 3:** Ch 1, skip first sc, sc in each st across to last 2 sts, skip next st, sc in last sc, turn—19 (23, 25, 27) sts.

**Row 4 and 5:** Repeat last 2 rows—17 (21, 23, 25) sts.

**Row 6:** Repeat Row 2.

**Row 7:** Ch 1, skip first sc, sc in next st, working in back loops only, sc in each st across to last 2 sts, skip next st, working in both loops, sc in last sc, turn—15 (19, 21, 23) sts.

**Row 8:** Ch 1, sc in first sc, working in back loops only, sc in each sc across to last sc, working in both loops, sc in last sc, turn.

**Rows 9 and 10:** Repeat last 2 rows—13 (17, 19, 21) sts.

Fasten off.

#### Front - Waist Ribbing

With **B**, work same as waist ribbing for back.

#### Pants

With **A**, work Rows 1–18 (20, 22, 24) of back pants.

#### Shape Leg Openings

**Row 1:** With Right Side facing, skip first 5 sts, join **A** with sc in next st, sc in each st across to last 5 sts, turn; leave remaining sts unworked—21 (25, 27, 29) sts.

**Row 2:** Ch 1, skip first sc, sc in each sc across to last 2 sc, skip next sc, sc in last sc, turn—19 (23, 25, 27) sts.

**Row 3:** Ch 1, sc in first sc, working in back loops only, sc in each st across to last sc, working in both loops, sc in last sc, turn.

**Rows 4–9:** Repeat last 2 rows 3 times—13 (17, 19, 21) sts. Fasten off.





**Pockets (make 2)**

With **B**, ch 7.

**Row 1:** Sc in 2nd ch from hook and in each ch across, turn—6 sc.

**Row 2:** Ch 1, 2 sc in first sc, sc in each sc across to last sc, 2 sc in last sc, turn—8 sc.

**Row 3:** Ch 1, sc in each sc across, turn.

**Rows 4 and 5:** Repeat last 2 rows—10 sc.

**Rows 6–9:** Ch 1, sc in each sc across, turn.

**Row 10:** Ch 2, dc in each sc across.

**Edging:** Working in ends of rows across side edge, work 10 sc evenly spaced across side, work 6 sc across lower edge, work 10 sc across other side. Fasten off.

**FINISHING**

With Right Side facing, sew crotch seam.

**Leg Trim**

**Row 1:** With Right Side facing, join **B** with sc at beginning of one leg opening, work 28 (30, 31, 32) more sc evenly spaced across opening, turn—29 (31, 32, 33) sc.

**Row 2:** Ch 2, dc in each sc across. Fasten off. With Right Side facing, sew side seams. Sew pockets to back side of pants. Weave in ends.

**Drawstring**

With 2 strands of **B** held together, ch 100 (125, 130, 135), or to desired length. Fasten off.

Beginning at center front, weave drawstring in and out of the ch-1 sps of waist ribbing. Tie in a bow in front.



*Baby Love from Red Heart Yarn: 25 Knit and Crochet Projects for Baby*



**REDHEART.COM**

Crocheting and knitting for baby is a perfect way to show your love and caring. Whenever there's a baby shower or new arrival, look here for inspiration and ideas. We included winning projects perfect for gift giving in an array of skill levels. Most are quick and easy to make. This collection includes 10 blankets to warm the new arrival and to comfort them into their toddler years. The newborn baby cocoon is a cozy alternative to the receiving blanket. You'll also find sweaters, hats, soakers and sweet little stuffed animals in this array of 25 projects.

**Included in this eBook:**

**11 Knit and Crochet Blankets**

- Serene Seaside Squares Baby Blanket, pg. 17 (left)
- Lacy Sweet Hearts Baby Blanket, pg. 18 (right)
- Poseys in the Squares Baby Blanket, pg. 9
- Two-Color Ripple Waves Baby Blanket, pg. 13

**12 Sweaters, Hats, and More**

- Cozy Soft Baby Cocoon and Hat, pg. 24 (left)
- Easy-to-Knit Sweet Baby Hat, pg. 27
- Ruffle-Bottom Baby Girl Soakers, pg. 34
- Adorable Cupcake Hats in both Knit (pg. 31) and Crochet (pg. 29)

+ 2 Stuffed Animals, including the Crocheted Bunny Toy, pg. 21 (right)

