

FaveCrafts



12 Easy Lace Knitting Patterns



Feminine tops, breezy scarves and knitting lace afghans

Lace Knitting Patterns

Copyright 2009 by Prime Publishing LLC

All rights reserved. No part of this book may be reproduced or transmitted in any form or by any means, electronic or mechanical, including photocopying, recording, or by any information storage or retrieval system, without written permission from the publisher, except in the case of brief quotations embodied in critical articles and reviews.

Trademarks are property of their respective holders. When used, trademarks are for the benefit of the trademark owner only.

Published by Prime Publishing LLC, 3400 Dundee Road, Northbrook, IL 60062 – www.primecp.com

Letter from the Editors

Dear Reader,

Homemade knit items too often have the reputation of being bulky or unrefined. This collection of lace knitting patterns demonstrates the more elegant side of knitting. Knit in more complicated openwork designs, these items are light, breezy and very impressive. Intended for intermediate knitters, these 12 free lace knitting patterns include afghans, cardigans, scarves and more. Both kids and adults can benefit from these beautiful patterns.

Lace knitting patterns like the 12 in this collection produce heirloom quality gifts for birthdays, baby showers, Mother's Day and more. Make the Lace Cable Afghan (pg. 7) for a superb house-warming present or to decorate your own elegant living room. Give a lace knitting pattern a try for a summer weight top, such as the Crossover Knit Top (pg. 11).

You can find more free knitting patterns, craft projects and extensive decorating ideas at www.FaveCrafts.com.

Our eBooks, like all our craft projects, are absolutely FREE to members of our crafting community. Please feel free to share with family and friends and ask them to sign up at our website for our [free e-mail newsletter](#).

Sincerely,

The Editors of FaveCrafts

www.FaveCrafts.com

www.FaveCraftsBlog.com

Lace Knitting Patterns Table of Contents

Abbreviations	5
Lace Afghan Knitting Patterns.....	6
Lace Cable Afghan	6
Lacy Stitch Blanket	7
Lace Top Knitting Patterns.....	8
Long Tunic Vest	8
Crossover Knit Top	11
Eyelet Knit Top	14
Lacy Knit Cardigan.....	16
Lace Wrap Knitting Patterns	20
A Green Lace Scarf	20
Easy Lace Shawl.....	21
Light and Lacey Scarf (Loom)	22
Lace Knitting Patterns for Kids	24
Baby Layette Knitting Pattern	24
Pretty Floral Cardigan	27
Lacy Kids Cardigan.....	31

Lace Afghan Knitting Patterns

Lace Cable Afghan

By: Bernat

This afghan knitting pattern creates a lovely afghan with a branching, lace design. Knit in a neutral color with circular needles, this pattern is intended for intermediate knitters.



Materials:

- Yarn: Bernat® Berella “4” (Solids: 100 g / 3.5 oz) (08940 Natural) 11 balls OR Bernat® Berella “4” (Ombres: 85 g / 3 oz) 13 balls
- Knitting Needles: Size 5.5 mm (U.S. 9) circular knitting needle 36 ins [90 cm] long or size needed to obtain gauge.

Gauge: 18 sts and 24 rows = 4" [10 cm] in stocking st.

Size: Approx 51 x 62" [129.5 x 157.5 cm].

Instructions:

Cast on 244 sts. Do not join. Working back and forth across needle, knit 2 rows.

1st row: K3. *K3. K2tog. K4. yrn. P2. (K2. yfwd. Sl1. K1. pss0) 3 times. P2. yon. K4. Sl1. K1. pss0. K3. Rep from * to last 3 sts. K3.

2nd row: K3. *P2. P2togtbl. P4. yrn. P1. K2. (P2. yrn. P2tog) 3 times. K2. P1. yrn. P4. P2tog. P2. Rep from * to last 3 sts. K3.

3rd row: K3. *K1. K2tog. K4. yfwd. K2. P2. (K2. yfwd. Sl1. K1. pss0) 3 times. P2. K2. yfwd. K4. Sl1. K1. pss0. K1. Rep from * to last 3 sts. K3.

4th row: K3. *P2togtbl. P4. yrn. P3. K2. (P2. yrn. P2tog) 3 times. K2. P3. yrn. P4. P2tog. Rep from * to last 3 sts. K3.

5th to 12th rows: As 1st to 4th rows twice.

13th row: K3. *yfwd. Sl1. K1. pss0. K2. yfwd. Sl1. K1. pss0. P2. yon. K4. Sl1. K1. pss0. K6. K2tog. K4. yrn. P2. K2. yfwd. Sl1. K1. pss0. K2. Rep from * to last 3 sts. K3.

14th row: K3. *yrn. P2tog. P2. yrn. P2tog. K2. P1. yrn. P4. P2tog. P4. P2togtbl. P4. yrn. P1. K2. P2. yrn. P2tog. P2. Rep from * to last 3 sts. K3.

15th row: K3. *yfwd. Sl1. K1. pss0. K2. yfwd. Sl1. K1. pss0. P2. K2. yfwd. K4. Sl1. K1. pss0. K2. K2tog. K4. yfwd. K2. P2. K2. yfwd. Sl1. K1. pss0. K2. Rep from * to last 3 sts. K3.

16th row: K3. *yrn. P2tog. P2. yrn. P2tog. K2. P3. yrn. P4. P2tog. P2togtbl. P4. yrn. P3. K2. P2. yrn. P2tog. P2. Rep from * to last 3 sts. K3.

17th to 24th rows: As 13th to 16th rows twice. Rep these 24 rows for 62" [157.5 cm], ending with a 24th row.

Knit 2 rows. Cast off.

Fringe: Cut 10" [25.5 cm] lengths of yarn. Taking 6 strands tog, knot into fringe evenly spaced across top and bottom of Afghan. Trim fringe evenly.

Lacy Stitch Blanket

By: Bernat

This easy lacy stitch baby blanket has fun rippled texture! Try it with striped yarns for depth of color.



Instructions:

Cast on 217 sts.

Knit 5 rows (garter st).

Proceed in pat as follows:

1st row: (RS). K4. *yo. K3. Sl1. K2tog. pss0. K3. yo. K1. Rep from * to last 3 sts. K3.

2nd row: K3. Purl to last 3 sts. K3.

3rd row: As 1st row.

4th row: Knit.

These 4 rows form pat.

Cont in pat until work from beg measures approx 47 ins [119.5 cm] ending with 2nd row of pat.

Knit 5 rows. Cast off knitwise.

Materials:

- Bernat® Baby Coordinates (160 g / 5.6 oz)
 - 3 balls of #09412 (Sweet Pink)
- Circular Knitting Needle: size 5 mm (U.S. 8) 36 ins [90 cm] long or size needed to obtain gauge.

Size: Approx 36 x 48 ins [91.5 x 122 cm].

Gauge: 20 sts and 26 rows = 4 ins [10 cm] in stocking st.

Lace Top Knitting Patterns

Long Tunic Vest

By: Patons

Knit a long, lightweight vest in various lace patterns with this tunic vest knitting pattern. This is a great way to practice your knitting skills and not get bored.



Materials:

- Yarn: Patons Astra (50 g/1.75 oz) Size S M L XL 10 10 12 balls
- Knitting Needles: Sizes 3.75 mm (U.S. 5) and 4 mm (U.S. 6) circular knitting needles 36 ins [90 cm] long or size needed to obtain tension. Set of four 3.75 mm (U.S. 5) double-pointed knitting needles. 1 stitch holder. 6 buttons.

Gauge: 22 sts and 30 rows = 4 ins [10 cm] with larger needles in stocking st.

Sizes: Small 30-32 ins [76-81 cm]
 Medium 34-36 ins [86-91 cm]
 Large 38-40 ins [97-102 cm]
 Finished bust
 Small 38 ins [97 cm]
 Medium 41 ins [104 cm]
 Large 44¼ ins [112.5 cm]

Instructions:

The instructions are written for smallest size. If changes are necessary for larger sizes the instructions will be written thus ().

Note: Body is worked in one piece to armholes.

BODY

With smaller circular needle cast on 206 (223-240) sts. Do not join. Working back and forth across needle in rows, proceed as follows:
 Knit 3 rows (garter st) noting that 1st row is WS. Change to larger circular needle and proceed in border pat as follows:

1st row: (RS). Knit.

2nd row: K1. Purl to last st. K1.

3rd row: K1. *(K2tog) 3 times. (yfwd. K1) 5 times. yfwd. (Sl1. K1. pss0) 3 times. Rep from * to last st. K1.

4th row: As 2nd row.

Rep last 4 rows 4 times more.

Knit 4 rows, dec 1 (0-1) st in centre of last row. 205 (223-239) sts.

Proceed in box lace pat as follows:

1st row: (RS). Knit.

2nd row: Purl.

3rd row: K1 (2-2). *P3. K5. Rep from * to last 4 (5-5) sts. P3. K1 (2-2).

4th row: P1 (2-2). *K3. P5. Rep from * to last 4 (5-5) sts. K3. P1 (2-2).

5th row: K1 (2-2). *yfwd. Sl1. K2tog. pss0. yfwd. K5. Rep from * to last 4 (5-5) sts. yfwd. Sl1. K2tog. pss0. yfwd. K1 (2-2).

6th row: Purl.

7th row: Knit.

8th row: Purl.

9th row: K5 (6-6). *P3. K5. Rep from * to last 0 (1-1) st. K0 (1-1).

10th row: P5 (6-6). *K3. P5. Rep from * to last 0 (1-1) st. P0 (1-1).

11th row: K5 (6-6). *yfwd. Sl1. K2tog. pssso. yfwd. K5. Rep from * to last 0 (1-1) st. K0 (1-1).

12th row: Purl.

These 12 rows form box lace pat.

Rep 1st to 6th rows once more.

Next row: (RS). Knit.

Next 5 rows: Purl, inc 4 (3-4) sts evenly across last row. 209 (226-243) sts.

Proceed in arrowhead lace pat as follows:

1st row: (RS). K1. *P3. yfwd. K2. Sl1. K1. pssso. P6. K2tog. K2. yrn. Rep from * to last 4 sts. P3. K1.

2nd and alt rows: K1. Purl to last st. K1.

3rd row: K1. *P3. K1. yfwd. K2. Sl1. K1. pssso. P4. K2tog. K2. yfwd. K1 Rep from * to last 4 sts. P3. K1.

5th row: K1. *P3. K2. yfwd. K2. Sl1. K1. pssso. P2. K2tog. K2. yfwd. K2. Rep from * to last 4 sts. P3. K1.

7th row: K1. *P3. K3. yfwd. K2. Sl1. K1. pssso. K2tog. K2. yfwd. K3. Rep from * to last 4 sts. P3. K1.

8th row: As 2nd row.

These 8 rows form arrowhead lace pat.

Rep last 8 rows 10 times more.

Work 2 rows garter st dec 4 (3-4) sts evenly across last row. 205 (223-239) sts.

Divide for Armholes: Next row: (RS). K50 (55-59). (Right Front).

Turn. Leave rem sts on a spare needle.

Shape Right Front and Place Box Lace Pat: 1st row: Cast off 5 (6-7) sts. Knit to end of row.

2nd row: Work 2tog (front edge). Knit to last 2 sts. Work 2tog.

3rd row: Purl.

4th row: Work 2tog. K6 (7-7). *P3. K5. Rep from * to last 3 (6-9) sts. P0 (3-3). K1(1-4). Work 2tog.

5th row: P7 (2-5). *K3. P5. Rep from * to last 2 (3-3) sts. P2 (3-3).

6th row: Work 2tog. K5 (6-6). *yfwd. Sl1. K2tog.

pssso. yfwd. K5. Rep from * to last 2 (5-8) sts. (yfwd. Sl1. K2tog. pssso. yfwd) 0 (1-1) time. K0 (0-3). Work 2tog.

7th row: Purl.

8th row: Work 2tog. Knit to last 2 sts. Work 2tog.

9th row: Purl.

10th row: Work 2tog. K7 (8-8). *P3. K5. Rep from * to last 4 (7-2) sts. P0 (3-0). K2 (2-0). Work 2tog. 35 (39- 42) sts.

11th row: P8 (3-6). *K3. P5. Rep from * to last 3 (4-4) sts. P3 (4-4).

Box lace pat is now in position.

Size S only: Cont in box lace pat dec 1 st at armhole edge only on next row. 34 sts.

Work 1 row even in pat.

Sizes M and L only: Cont in box lace pat dec 1 st at each end of needle on next and following alt row. (35-38) sts.

Work 1 row even in pat.

Size L only: Dec 1 st at armhole edge only on next row. Work 1 row even in pat.

Dec 1 st at each end of needle on next row. 35 sts. Work 3 rows even in pat.

All Sizes: Keeping cont of pat, dec 1 st at front edge only on next and following 4th rows until there are 24 (25-25) sts.

Cont even in pat until armhole measures 8½ (9-9½) ins [21.5 (23-24) cm] ending with a RS row.

Shoulder shaping: Cast off 8 sts beg next and following alt row. Work 1 row even. Cast off rem 8 (9-9) sts.

Divide for Back: Next row: With right side of work facing, join yarn to rem sts on spare needle. Cast off 5 (6-7) sts. K100 (107-114) (including st on needle after cast off). (Back).

Turn. Leave rem sts on spare needle.

Shape Back and Place Box LacePat: 1st row: Cast off 5 (6-7) sts. Knit to end of row.

2nd row: Work 2tog. Knit to last 2 sts. Work 2tog.

3rd row: Purl.

4th row: Work 2tog. K7 (2-5). *P3. K5. Rep from * to last 4 (7-2) sts. P0 (3-0). K2 (2-0). Work 2tog.

5th row: P8 (3-6). *K3. P5. Rep from * to last 3

(6-1) sts. K0 (3-0). P3 (3-1).

6th row: Work 2tog. K6 (1-4). *yfwd. Sl1. K2tog. pssso. yfwd. K5. Rep from * to last 3 (6-9) sts. (yfwd. Sl1. K2tog. pssso. yfwd) 0 (1-1) time. K1 (1-4). Work 2tog.

7th row: Purl.

8th row: Work 2tog. Knit to last 2 sts. Work 2tog.

9th row: Purl.

10th row: Work 2tog. K8 (3-6). *P3. K5. Rep from * to last 5 (8-3) sts. P0 (3-0). K3 (3-1).

Work 2tog. 85 (91-97) sts.

11th row: P1 (4-7). *K3. P5. Rep from * to last 4 (7-10) sts. K0 (3-3). P4 (4-6).

Box lace pat is now in position.

Keeping cont of pat, dec 1 st at each end of needle on next and following 0 (1-3) alt rows.

83 (87-89) sts.

Cont even in pat until armhole measures same length as Right Front ending with RS facing for next row.

Shoulder shaping: Cast off 8 sts beg next 4 rows, then 8 (9-9) sts beg following 2 rows.

Leave rem 35 (37-39) sts on a st holder.

Shape Left Front and Place Box Lace Pat: 1st row: With RS of work facing, join yarn to rem sts on spare needle. Cast off 5 (6-7) sts. K45 (49-52) (including st on needle after cast off).

2nd row: Knit.

3rd row: Work 2tog. Knit to last 2 sts.

Work 2tog (front edge).

4th row: Purl.

5th row: Work 2tog. K6 (1-4). *P3. K5. Rep from * to last 3 (4-4) sts. K1 (2-2). Work 2tog.

6th row: P7 (8-8). *K3. P5. Rep from * to last 2 (5-0) sts. K0 (3-0). P2 (2-0).

7th row: Work 2tog. K5 (0-3). *yfwd. Sl1. K2tog. pssso. yfwd. K5. Rep from * to last 2 (3-3) sts. K0 (1-1). Work 2tog.

8th row: Purl.

9th row: Work 2tog. Knit to last 2sts. Work2tog.

10th row: Purl.

11th row: Work 2tog. K7 (2-8). *P3. K5. Rep from * to last 4 (5-2) sts. P0 (3-0). K2 (0-0).

Work 2tog. 35 (39-42) sts.

12th row: P8 (1-6). *K3. P5. Rep from * to last 3

(6-4) sts. K0 (3-3). P3 (3-1).

Box lace pat is now in position.

Size S only: Cont in box lace pat dec 1 st at armhole edge only on next row. 34 sts.

Work 1 row even in pat.

Sizes M and L only: Cont in box lace pat dec 1 st at each end of needle on next and following alt row. (35-38) sts.

Work 1 row even in pat.

Size L only: Dec 1 st at armhole edge only on next row. Work 1 row even in pat.

Dec 1 st at each end of needle on next row. 35 sts.

Work 3 rows even in pat.

All Sizes: Keeping cont of pat, dec 1 st at front edge only on next and following 4th rows until there are 24 (25-25) sts. Cont even in pat until armhole measures 8½ (9-9½) ins [21.5 (23-24) cm] ending with RS facing for next row.

Shoulder shaping: Cast off 8 sts beg next and following alt row. Work 1 row even. Cast off rem 8 (9-9) sts.

| Button and Buttonhole Band: Sew shoulder seams. With RS of work facing and smaller needle pick up and knit 100 sts up Right Front edge to first front dec and 58 (62-66) sts up front neck edge. K35 (37-39) sts from Back neck st holder dec 1 st at centre. Pick up and knit 58 (62-66) sts down Left Front neck edge and 100 sts down front edge. 350 (360-370) sts. Do not join. Working back and forth across needle in rows, knit 3 rows (garter st).

4th row: (RS). K3. *Cast off 2 sts. K17 (including st on needle after cast off). Rep from * 4 times more. Cast off 2 sts. Knit to end of row.

5th row: Knit, casting on 2 sts over cast off sts.

Work 3 rows garter st. Cast off knitways (WS).

Sew buttons to correspond to buttonholes.

Armbands: With RS of work facing pick up and knit 91 (95-101) sts evenly around armhole edge dividing among 3 of the smaller double pointed needles. Join in round and placing a marker on first st, proceed as follows:

1st rnd: Purl.

2nd rnd: Knit.

Rep last 2 rnds 3 times more. Cast off purlwise.

Crossover Knit Top

By: Bernat

This pretty feminine top features a crossover V-neckline, lace detail and flattering empire waist. The free knitting pattern can be adjusted from size XS to 5XL and the suggested yarn is a soft, natural blend of cotton and corn.



Materials:

- Yarn: Bernat Cotn Corn (60 g / 2.1 oz) 19128 (Water) Sizes XS/S (M-L-XL-2/3XL-4/5XL) 6 (7-7-8-9-9) balls
- Knitting Needles: Sizes 4 mm (U.S. 6) and 4.5 mm (U.S. 7) or size needed to obtain gauge. Size 4 mm (U.S. 6) circular knitting needle 36" [90 cm] long for edging. 1 st holder.

Gauge: 20 sts and 26 rows = 4 ins [10 cm] with larger needles in stocking st.

Sizes: Finished bust
 XS/S 36" [91.5 cm]
 M 39" [99 cm]
 L 43" [109 cm]
 XL 47" [119.5 cm]
 2/3XL 55" [139.5 cm]
 4/5XL 63" [160 cm]

Instructions:

BACK

**With smaller needles, cast on 104 (111-122-133-148-170) sts.

Work 10 rows in garter st (knit every row) noting 1st row is WS.

Change to larger needles and proceed in pat as follows:

1st row: (WS). Purl.

2nd row: K5 (3-3-3-5-5). *P3. K2tog. yfwd. K6. Rep from *, ending last rep with K6 (4-4-4-6-6).

3rd and alt rows: Purl.

4th row: K4 (2-2-2-4-4). *P3. K2tog. yfwd. K6. Rep from *, ending last rep with K7 (5-5-5-7-7).

6th row: K3 (1-1-1-3-3). *P3. K2tog. yfwd. K6. Rep from * to last 2 (0-0-0-2-2) sts. K2 (0-0-0-2-2).

8th row: K6 (4-4-4-6-6). *yfwd. Sl1. K1. pssso. P3. K6. Rep from *, ending last rep with K5 (3-3-3-5-5).

10th row: K7 (5-5-5-7-7). *yfwd. Sl1. K1. pssso. P3. K6. Rep from *, ending last rep with K4 (2-2-2-4-4).

12th row: K8 (6-6-6-8-8). *yfwd. Sl1. K1. pssso. P3. K6. Rep from *, ending last rep with K3 (1-1-1-3-3).

These 12 rows form lace pat.

Cont in lace pat until work from beg measures approx 11" [28 cm], ending on a 12th or 6th row of pat.

Next row: (WS). Purl, dec 14 (13-14-15-10-12) sts evenly across. 90 (98-108-118-138-158) sts.**

Change to smaller needles and work 10 rows in garter st.

Change to larger needles and proceed in stocking st for 26 (28-28-32-34-38) rows, ending with a purl row.

Shape armholes: Cast off 6 (8-9-10-9-12) sts beg next 2 (2-2-2-4-4) rows. 78 (82-90-98-102-110) sts.

Next row: (RS). K2. K2tog. Knit to last 4 sts. Sl1. K1. pss0. K2.

Next row: Purl.

Rep last 2 rows 5 (6-8-8-8-9) times more. 66 (68-72-80-84-90) sts.

Cont even until armhole measures 6½ (7-7 1/2-7 1/2-8-8) ins [16.5 (18-19-19-20.5-20.5) cm], ending with a WS row.

Shape back neck: Next row: K20 (20-21-24-26-28) (neck edge). Turn. Leave rem sts on a spare needle.

Dec 1 st at neck edge on next 4 rows. 16 (16-17-20-22-24) sts.

Work 1 row even.

Shape shoulder: Cast off 8 (8-8-10-11-12) sts beg next row.

Purl 1 row. Cast off rem 8 (8-9-10-11-12) sts.

With RS facing, slip next 26 (28-30-32-32-34) sts onto a st holder. Join yarn to rem sts and knit to end of row.

Dec 1 st at neck edge on next 4 rows. 16 (16-17-20-22-24) sts.

Work 2 rows even.

Shape shoulder: Cast off 8 (8-8-10-11-12) sts beg next row. Knit 1 row. Cast off rem 8 (8-9-10-11-12) sts.

FRONT

Work from ** to ** as given for Back.

Change to smaller needles and work 8 rows in garter st. Cast off knitwise (WS).

LEFT FRONT BODICE

With larger needles cast on 50 (52-56-60-68-78) sts.

Work 2 rows in stocking st.

Dec 1 st at front edge (end of row) on next and following alt (alt-alt-alt-4th-4th) rows 11 (8-6-4-7-8) times more. 38 (43-49-55-60-69) sts.

Sizes M, L and XL only: Dec 1 st at front edge on following 4th rows (2-3-4) times. (41-46-51) sts.

All sizes: Work 1 (3-3-3-3-3) row(s) even.

Shape armhole: Next row: Cast off 6 (8-9-10-9-12) sts. Knit to last 2 sts. K2tog. 31 (34-39-44-50-56) sts.

Sizes 2/3XL and 4/5XL only: Purl 1 row.

Next row: Cast off (9-12) sts. Knit to end of row. (41-44) sts.

All sizes: Purl 1 row.

Next row: K2. K2tog. Knit to last 2 sts. K2tog.

Dec 1 st at armhole edge (as before) on following alt rows 5 (6-8-8-8-9) times more, AT SAME TIME, dec 1 st at front edge on following 4th rows until there are 16 (16-17-20-22-24) sts. Cont even until armhole measures same length as Back to beg of shoulder shaping, ending with a purl row.

Shape shoulder: Cast off 8 (8-8-10-11-12) sts beg next row.

Purl 1 row. Cast off rem 8 (8-9-10-11-12) sts.

RIGHT FRONT BODICE

With larger needles cast on 50 (52-56-60-68-78) sts.

Work 2 rows in stocking st.

Dec 1 st at front edge (beg of row) on next and following alt (alt-alt-alt-4th-4th) rows 11 (8-6-4-7-8) times more. 38 (43-49-55-60-69) sts.

Sizes M, L and XL only: Dec 1 st at front edge on following 4th rows (2-3-4) times. (41-46-51) sts.

All sizes: Work 0 (2-2-2-2-2) rows even.

Shape armhole: Next row: Cast off 6 (8-9-10-9-12) sts. Purl to end of row. 31 (34-39-44-50-56) sts.

Sizes 2/3XL and 4/5XL only: Knit 1 row.

Next row: Cast off (9-12) sts. Purl to end of row.

All sizes: Next row: (RS). K2tog. Knit to last 4 sts.
Sl1. K1. pss0. K2.

Dec 1 st at armhole edge (as before) on following alt rows 5 (6-8-8-8-9) times more, AT SAME TIME, dec 1 st at front edge on following 4th rows until there are 16 (16-17-20-22-24) sts. Cont even until armhole measures same length as Back to beg of shoulder shaping, ending with a knit row.

Shape shoulder: Cast off 8 (8-8-10-11-12) sts beg next row.

Knit 1 row. Cast off rem 8 (8-9-10-11-12) sts.

FINISHING

Neck edging: Sew shoulder seams. With RS facing and circular needle, beg at corner of lower Right Front Bodice, pick up and knit 64 (66-68-74-86-86) sts up right front neck edge to shoulder and 5 sts down right back neck edge. K26 (28-30-32-32-34) from back st holder, dec 3 sts evenly across. Pick up and knit 5 sts up left back neck edge and 64 (66-68-74-86-86) sts down left front neck edge. 161 (167-173-187-211- 213) sts.

Work 8 rows garter st. Cast off knitwise (WS). Lap right front bodice over left front bodice to measure same width as cast off edge of Front. Sew to cast off edge of Front through all thicknesses.

Armbands: With RS of work facing and smaller needles, pick up and knit 92 (104-112-120-134-142) sts evenly along armhole edge. Work 8 rows in garter st. Cast off knitwise (WS). Sew side and armband seams.

Eyelet Knit Top

By: Bernat

Knit a feminine top with lacy eyelet rib and cap sleeves with this free knitting pattern. Knit in only two pieces, this lightweight top is perfect as the days warm up. The soft yarn is a mixture of natural cotton and corn.



Materials:

- Yarn: Bernat® Cot'n Corn (60 g / 2.1 oz) 5 (5-6-6-7-8) balls of #19244 (Avocado)
- Knitting Needles: Sizes 4 mm (U.S. 6) and 4.5 mm (U.S. 7) or size needed to obtain gauge

Gauge: 20 sts and 26 rows = 4 ins [10 cm] with larger needles in stocking st.

Sizes: Finished bust: XS/S (M-L-XL- 2/3XL-4/5XL) 36 (40-44-48-55- 63) ins [91.5 (101.5-112-122-139.5-160) cm].

Instructions:

BACK and FRONT (make alike)

With smaller needles, cast on 91 (101-111-121-137-157) sts.

1st row: (RS). K1. *P1. K1. Rep from * to end of row. Rep last row of Seed St Pat 7 times more.

Change to larger needles.

1st row: (RS). P2 (1-6-5-1-5). *K3. P3. Rep from *, ending last rep with P2 (1-6-5-1-5).

2nd and alt rows: K2 (1-6-5-1-5). *P3. K3. Rep from *, ending last rep with K2 (1-6-5-1-5).

3rd row: P2 (1-6-5-1-5). *yfn. Sl1. K2tog. pssso. yfn. P3. Rep from *, ending last rep with P2 (1-6-5-1-5).

5th row: P2 (1-6-5-1-5). *K1. yfwd. Sl1. K1. pssso. P3. Rep from *, ending last rep with P2 (1-6-5-1-5).

6th row: As 2nd row.

Rep last 6 rows for pat until work from beg measures approx 18 (18 1/2- 19-19-20-21)" [45.5 (47-48-48- 51-53.5) cm], ending with 6th row of pat.

Place pat for neck shaping: 1st row: (RS). Pat 18 (23-28-33-41- 51) sts. K55. Pat 18 (23-28-33-41- 51) sts.

2nd row: Pat 18 (23-28-33-41-51) sts. (K1. P1) 27 times. K1. Pat 18 (23-28-33-41-51) sts. Seed St Pat is now in position. Cont in pat, working Seed St Pat across center 55 sts for 6 more rows.

Shape neck: Next row: (RS). Pat 18 (23-28-33-41-51) sts. Seed St Pat next 7 sts. Cast off center 41 sts. Seed St Pat next 7 sts (including st after cast off). Pat 18 (23-28-33-41-51) sts. Cont in pat on last 25 (30-35-40-48-58) sts, working Seed St Pat across 7 sts at neck edge until neck measures 4 1/2" [11.5 cm], ending with a RS row.

Shape shoulder: Cast off 8 (10-12-13-16-19) sts beg next and following alt row. Work 1 row even. Cast off rem 9 (10-11-14-16-20) sts. With WS facing, join yarn to rem sts and work to correspond to other side, reversing all shapings.

FINISHING

Sew shoulder seams. Place markers on side edges 8 (8 1/2-9-9-10-11)" [20.5 (21.5-23-23-25.5-28) cm] down from shoulder seams.

Armbands: With RS of work facing and smaller needles, pick up and K67 (71-75-75-79-83) sts evenly between markers. Work 7 rows in Seed St Pat as given for Back and Front. Cast off in pat. Sew side and armband seams.

Lacy Knit Cardigan

By: Patons

Beautiful light and lacy knit cardigan, perfect for layering. Dress it up with a skirt or dress it down with jeans. This is an intermediate level project.



Materials: S (M L XL)

- Patons Astra (50 g/1.75 oz)
 - 8 (8, 9, 10) balls
- Knitting Needles: Sizes 3.75 (U.S. 5) and 4 mm (U.S. 6)
- Circular knitting needle: size 3.75 (U.S. 5) or size needed to obtain tension.
- St holder.
- 7 buttons.

Sizes - S M L XL

To fit bust measurement

Small 34 ins [86.5 cm]

Medium 36 ins [91.5 cm]

Large 38 ins [96.5 cm]

Extra-Large 40 ins [101.5 cm]

Finished bust

Small 39 ins [99 cm]

Medium 41½ ins [105.5 cm]

Large 44 ins [112 cm]

Extra-Large 47 ins [119.5 cm]

Gauge: 21 sts and 34 rows = 4 ins [10 cm] with larger needles in lace pat.

Instructions:

The instructions are written for smallest size. If changes are necessary for larger sizes the instructions will be written thus ().

BACK

With smaller needles, cast on 99 (106-113-120) sts.

1st row: (RS). P1. *P1. K2. yfwd. Sl1. K1. pss0.

P2. Rep from * to end of row.

2nd row: *K2. P4. K1. Rep from * to last st. K1.

3rd row: P1. *P1. K2tog. yfwd. K2. P2. Rep from * to end of row.

4th row: As 2nd row.

These 4 rows form Eyelet Rib Pat.

Work a further 8 rows in Eyelet Rib Pat, inc 3 sts evenly across last row. 102 (109-116-123) sts.

Change to larger needles and proceed in Lace Pat as follows:

1st row: (RS). K3. *Sl1. K1. pss0. K5. yfwd. Rep from * to last st. K1.

2nd and alt rows: Purl.

3rd row: K3. *Sl1. K1. pss0. K4. yfwd. K1. Rep from * to last st. K1.

5th row: K3. *Sl1. K1. pss0. K3. yfwd. K2. Rep from * to last st. K1.

7th row: K3. *Sl1. K1. pss0. K2. yfwd. K3. Rep from * to last st. K1.

9th row: K3. *Sl1. K1. pss0. K1. yfwd. K4. Rep from * to last st. K1.

11th row: K3. *Sl1. K1. pss0. yfwd. K5. Rep from * to last st. K1.

13th row: K1. *yfwd. K5. K2tog. Rep from * to last 3 sts. K3.

15th row: K2. *yfwd. K4. K2tog. K1. Rep from * to last 2 sts. K2.

17th row: K3. *yfwd. K3. K2tog. K2. Rep from * to last st. K1.

19th row: K4. *yfwd. K2. K2tog. K3. Rep from * to end of row.

21st row: K5. *yfwd. K1. K2tog. K4. Rep from * to last 6 sts. yfwd. K1. K2tog. K3.

23rd row: K6. *yfwd. K2tog. K5. Rep from * to

last 5 sts. yfwd. K2tog. K3.

24th row: Purl.

These 24 rows form Lace Pat.

Cont in Lace Pat until work from beg measures approx 12 ins [30.5 cm], ending on a 16th row of Lace Pat.

Armhole shaping: 1st row: (RS). Cast off 3 sts (1 st rem after cast off). yfwd. K2. K2tog. K2.

*yfwd. K3. K2tog. K2. Rep from * to last st. K1.

2nd row: Cast off 3 sts. Purl to end of row.

3rd row: Sl1. K1. pss0. yfwd. K1. K2tog. K3.

*yfwd. K2. K2tog. K3. Rep from * to last 4 sts. yfwd. K2. K2tog.

4th row: P2tog. Purl to end of row.

5th row: Sl1. K1. pss0. K5. *yfwd. K1. K2tog. K4. Rep from * to last 3 sts. K1. K2tog.

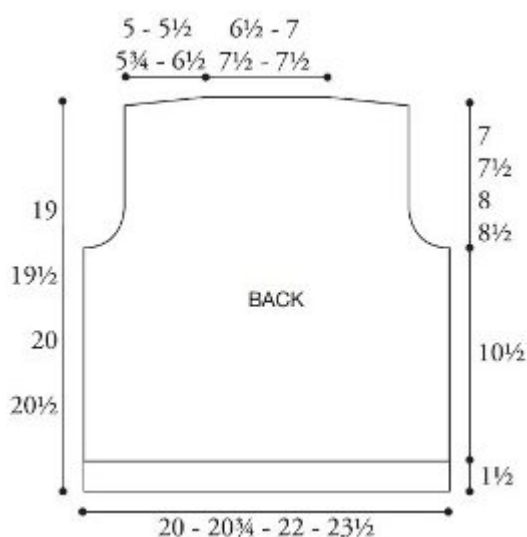
6th row: Purl.

7th row: Sl1. K1. pss0. K4. *yfwd. K2tog. K5. Rep from * to last 2 sts. K2tog.

8th row: P2tog. Purl to last 2 sts. P2togtbl. 88 (95-102-109) sts.

Beg with 1st row of Lace Pat, cont even in pat until armhole measures approx 7 (7½-8-8½) ins [18 (19-20.5-21.5) cm], ending on a 10th (12th-14th-18th) row.

Shoulder shaping: Cast off 13 (14-15-17) sts beg next 2 rows, then cast off 13 (15-16-17) sts beg following 2 rows. Leave rem 36 (37-40-41) sts on a st holder.



LEFT FRONT

**With smaller needles, cast on 50 (57-57-64) sts.

Work 12 rows in Eyelet Rib Pat as given for Back, inc 3 sts evenly across last row. 53 (60-60-67) sts.

Change to larger needles and proceed in Lace Pat as given for Back until work from beg measures approx 12 ins [30.5 cm], ending on a 16th row of Lace Pat.**

Armhole and V-neck shaping:

1st row: (RS). Cast off 3 sts (1 st rem on needle after cast off). yfwd. K2. K2tog. K2. *yfwd. K3. K2tog. K2. Rep from * to last 8 sts. yfwd. K3. K2tog. K1. K2tog.

2nd row: Purl.

3rd row: Sl1. K1. pss0. yfwd. K1. K2tog. K3. *yfwd. K2. K2tog. K3. Rep from * to last 6 sts. yfwd. K2. (K2tog) twice.

4th row: Purl.

5th row: Sl1. K1. pss0. K6. *yfwd. K1. K2tog. K4. Rep from * to last 4 sts. K2. K2tog.

6th row: Purl.

7th row: Sl1. K1. pss0. K6. *yfwd. K2tog. K5. Rep from * to last 2 sts. K2tog.

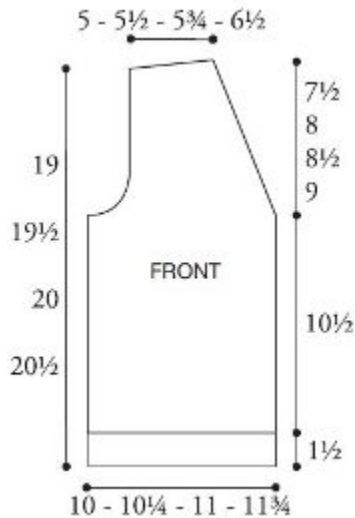
8th row: Purl to last 2 sts. P2togtbl. 42 (49-49-56) sts.

Dec 1 st at V-neck edge only on next and every alt row 5 (11-5-11) times, then every 4th row from previous dec 10 (8-12-10) times. 26 (29-31-34) sts.

Cont even in pat until armhole measures same length as Back to beg of shoulder shaping, ending on a 10th (12th-14th-18th) row.

Shoulder shaping: Cast off 13 (14-15-17) sts beg next row.

Purl 1 row. Cast off rem 13 (15-16-17) sts.



RIGHT FRONT

Work from ** to ** as given for Left Front.

Armhole and V-neck shaping:

1st row: (RS). Sl1. K1. pssso. K1. *yfwd. K3.

K2tog. K2. Rep from * to last st. K1.

2nd row: Cast off 3 sts. Purl to end of row.

3rd row: Sl1. K1. pssso. K1. *yfwd. K2. K2tog. K3.

Rep from * to last 4 sts. yfwd. (K2tog) twice.

4th row: Purl.

5th row: Sl1. K1. pssso. K1. *yfwd. K1. K2tog. K4.

Rep from * to last 3 sts. K1. K2tog.

6th row: Purl.

7th row: Sl1. K1. pssso. K1. *yfwd. K2tog. K5. Rep

from * to last 2 sts. K2tog.

8th row: P2tog. Purl to end of row. 42 (49-49-56) sts.

Proceed as follows to cont shaping V-neck only:

1st row: (RS). Sl1. K1. pssso. K4. *Sl1. K1. pssso.

K5. yfwd. Rep from * to last st. K1.

2nd and alt rows: Purl.

3rd row: Sl1. K1. pssso. K3. *Sl1. K1. pssso. K4.

yfwd. K1. Rep from * to last st. K1.

5th row: Sl1. K1. pssso. K2. *Sl1. K1. pssso. K3.

yfwd. K2. Rep from * to last st. K1.

7th row: Sl1. K1. pssso. K1. *Sl1. K1. pssso. K2.

yfwd. K3. Rep from * to last st. K1.

9th row: Sl1. K1. pssso. *Sl1. K1. pssso. K1. yfwd.

K4. Rep from * to last st. K1.

11th row: Sl1. K2tog. pssso. yfwd. K5. *Sl1. K1.

pssso. yfwd. K5. Rep from * to last st. K1. 36 (43-43-50) sts.

Sizes M and XL only: Dec 1 st at neck edge only, as established above, on next and every alt row 4 times.

All Sizes: Dec 1 st at neck edge only, as established above, on every 4th row from previous dec 10 (9-12-11) times. 26 (29-31- 34) sts.

Cont even in pat until armhole measures same length as Back to beg of shoulder shaping, ending on an 11th (13th-15th-19th) row.

Shoulder shaping: Cast off 13 (14-15-17) sts beg next row. Work 1 row even. Cast off rem 13 (15-16-17) sts.

SLEEVES

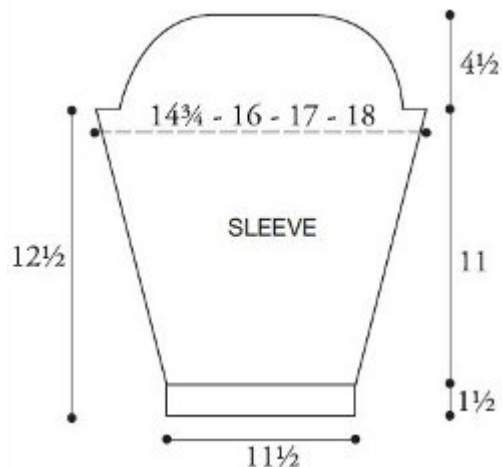
With smaller needles, cast on 57 sts.

Work 12 rows in Eyelet Rib Pat as given for Back, inc 3 sts evenly across last row. 60 sts.

Change to larger needles and proceed in Lace Pat as given for Back, inc 1 st at each end of needle on 5th and every following 6th (6th- 4th-4th) row to 78 (84-90-94) sts, taking inc sts into stocking st.

Cont even in pat until work from beg measures 11½ ins [29 cm], ending with RS facing for next row.

Top Shaping: Cast off 2 sts beg next 2 rows. Dec 1 st each end of needle on next and every following alt row 12 times. Dec 1 st each end of needle on following 6 rows. Cast off 3 sts beg next 4 rows. Cast off rem 24 (30-36-40) sts.



FINISHING

Pin garment pieces to measurements. Cover with a damp cloth leaving to dry.

Buttonhole and button band: Sew shoulder seams. With RS of work facing and circular needle, pick up and knit 63 sts up Right Front edge to V-neck shaping.

Pick up and knit 42 (44-48-50) sts up Right Front V-neck edge to shoulder seam. K36 (37-40-41) from back st holder, dec 2 sts evenly across.

Pick up and knit 42 (44-48-50) sts down left Front Vneck edge. Pick up and knit 63 sts down Left Front edge to lower edge. 244 (249-260-265) sts.

Next row: Knit.

Next row: K3. *Cast off 1 st. K9 (including st on needle after cast off). Rep from * 5 times more. Cast off 1 st. Knit to end of row.

Next row: Knit, casting on 2 sts over each cast off st to make a loop.

Cast off purlwise (RS).

Sew in Sleeves. Sew side and sleeve seams. Sew buttons to correspond to button loops.

Lace Wrap Knitting Patterns

A Green Lace Scarf

By: Maddy Cranley for Maddycraft.com

This free knitting pattern is a great craft to get started on if you are new to the crafting world. It's an easy pattern to knit and you will love the results. Add some fashionable color to your wardrobe this fall season.



Materials:

- Worsted Weight/20 sts x 26 rows = 4"/10cm
- Yarn (as shown in photo)
- Needle Size - 6mm (US10/CAN4)
- Bead Trim (optional)

Finished Size Width x Length

3" x 66"/8cm x 165cm

Instructions:

Cast on 14 sts, or an even amount of sts.

Row 1: Knit to last st, p1.

Row 2: Sl1 kwise, *yo, k2tog; rep from *, end p1.

Repeat Row 2 until scarf measures 66"/165cm, or desired length.

Next row: Bind off all sts kwise.

Attach beads to ends of scarf, using invisible thread.

Easy Lace Shawl

By: Red Heart Yarn

This lace shawl knitting pattern creates a pretty wrap for the colder months. The pattern is quick and easy, requiring no seaming, but looks impressive.



Materials:

- Yarn: RED HEART® “Designer Sport™”: 3 Balls 3921 Crimson.
- Knitting Needles: 6mm [US 10].

Gauge: 13 sts = 4” in pattern with yarn held double. CHECK YOUR GAUGE. Use any size needles to obtain the gauge.

Size: Shawl measures 18½” x 54”.

Instructions:

With 2 strands held together throughout, cast on 61 sts.
Purl 1 row.

Row 1 (Right Side): K1, * [yo, slip 1, K1, pss0] twice, K1, [K2tog, yo] twice, K1; repeat from * across.

Row 2: Purl.

Row 3: K2, * yo, slip 1, K1, pss0, yo, slip 1, K2tog, pss0, yo, K2tog, yo, K3; rep from * to last 9 sts; yo, slip 1, K1, pss0, yo, slip 1, K2tog, pss0, yo, K2tog, yo, K2.

Row 4: Purl.

Repeat Rows 1-4 for pattern until 54” from beginning, end by working Row 4. Bind off.

For more ideas visit [Red Heart Yarn](https://www.RedHeartYarn.com).

Light and Lacey Scarf (Loom)

By: Faith Schmidt for Authentic Knitting Board

Spring is in the air. While the days are getting warmer, the mornings and evenings still carry a chill. This scarf is the perfect answer. It provides just enough weight for those chilly evenings, but is light enough for the warming days of spring. It would make a lovely accessory knitted in springtime pastels. Treat yourself to this lacey, feminine scarf.



Materials:

- Knitting Loom: Small gauge double sided knitting board with at least 21 pegs set at 1/4" spacer setting. The [10" Authentic Knitting Board](#) was used in the sample.
- Yarn: 220 yards of sport weight yarn. Red Heart Soft Baby was used in the sample.
- Tapestry Needle
- Knitting tool
- Crochet hook
- Stitch markers (2)

Size: 6" x 45"

Gauge: 14 stitches and 14 rows on a 4"x 4" swatch in stockinette stitch

Pattern Notes:

Making the chevron pattern is very simple. It consists of shifting loops to different needles, wrapping the board, and then picking over. Follow the steps below carefully, and you will be on your way to making chevrons. Once you have gone through the steps once, and see what you are doing, you will find this very easy.



Chevron Lace Pattern:

The first peg on the left is #1. Move loop #2 to peg #1. Move loop #3 to Peg #2. Move loop #4 to peg #3. Move loop #5 to peg #4. Peg #5 will be empty. Peg #1 will have two loops.

Move loop #10 to peg #11 (It is marked with the stitch marker). Move loop #9 to peg #10. Move loop #8 to peg #9. Move loop #7 to peg #8. Peg #7 will be empty. Peg #11 will have two loops.

Move loop #12 to peg #11 (It is marked with the stitch marker). Move loop #13 to peg #12. Move loop #14 to peg #13. Move loop #15 to peg #14. Peg #15 will be empty. Peg #11 will now have three loops.

Move loop #20 to peg #21. Move loop #19 to peg #20. Move loop #18 to peg #19. Move loop #17 to peg #18. Pin #17 will be empty. Pin #21 will have two loops.

Turn the board around and repeat steps 1-4.
Each side should look exactly alike.

Wrap the board as usual. Lift all the bottom loops over the top loop so that only one loop remains on each peg. Do not pick over the pegs that have only one loop on them. This picture shows a close-up view of what the chevron lace pattern will look like when knitted.

Instructions:

Place a stitch marker on peg #11 (counting from peg #1 on the left).

CO on 21 pegs with the stockinette cast on.

Row 1 K

Row 2 K

Row 3 Follow Chevron Lace Pattern

Row 4 K

Row 5 K

Repeat rows 3-5 until scarf measures 45 inches or desired length, ending with row 5.

BO both ends. Weave in any loose ends. Add fringe if desired.

Lace Knitting Patterns for Kids

Baby Layette Knitting Pattern

By: Bernat

This baby layette knitting pattern creates a matching set of delicate baby jacket and baby bonnet. The baby bonnet and jacket are tied with sweet satin ribbon. Pair with [knitted baby booties](#).



Materials:

- Yarn: 3 balls of Bernat Baby (1.5 oz/42.5 g)
- Knitting Needles: Size 3¼ mm (U.S. 3) or size needed to obtain gauge.
- Length of ¼ in 6 mm ribbon for Jacket.
- Length of ¾ in 18 mm ribbon for Bonnet.

Gauge: 28 sts and 32 rows = 4" 10 cm in stocking st.

Size: 0-3 months

Note: Body is worked in one piece to armholes.

Instructions:

Cast on 204 sts.

****1st row:** (WS). K5. P1. K2. *P17. K2. Rep from * to last 6 sts. P1. K5.

2nd row: K6. P2. *K1. yfwd. K1. Sl1. K1. pssso. P1. K2tog. K1. P1. K1. Sl1. K1. pssso. P1. K2tog. K1. yfwd. K1. P2. Rep from * to last 6 sts. K6. 184 sts.

3rd row: K5. P1. K2. *P4. (K1. P2) twice. K1. P4. K2. Rep from * to last 6 sts. P1. K5.

4th row: K6. P2. *(K1. yfwd) twice. Sl1. K1. pssso. P1. K2tog. P1. Sl1. K1. pssso. P1. K2tog. (yfwd. K1) twice. P2. Rep from * to last 6 sts. K6.

5th row: K5. P1. K2. *P5. (K1. P1) twice. K1. P5. K2. Rep from * to last 6 sts. P1. K5.

6th row: K6. P2. *K1. yfwd. K3. yfwd. Sl1. K2tog. pssso. P1. Sl1. K2tog. pssso. yfwd. K3. yfwd. K1. P2. Rep from * to last 6 sts. K6.

7th row: K5. P1. K2. *P7. K1. P7. K2. Rep from * to last 6 sts. P1. K5.

8th row: K6. P2. *K1. yfwd. K5. yfwd. Sl1. K2tog. pssso. yfwd. K5. yfwd. K1. P2. Rep from * to last 6 sts. K6. 204 sts.

9th row: K5. P1. K2. *P17. K2. Rep from * to last 6 sts. P1. K5.

Rows 2 to 9 inclusive form pat.**

Cont in pat until work from beg measures approx 6¼ ins [16 cm] ending on a 3rd row of pat.

Next row: (RS). K6. K2tog. *K2. Sl1. K1. pssso. K2. Sl1. K2tog. pssso. (K2. K2tog) twice. Rep from * to last 6 sts. K6. 133 sts.

Divide front and back: Next row: K5. P29 (left front). Turn. Leave rem 99 sts on a spare needle.

Raglan shaping:

1st row: Cast off 2 sts. Knit to end of row.

2nd row: K5. Purl to end of row.

3rd row: K1. K2tog. Knit to end of row.

4th row: As 2nd row.

Rep last 2 rows to 22 sts, then work 3rd row once. 21 sts.

Neck shaping:

Next row: Cast off 7 sts (neck edge). Purl to end of row.

Dec 1 st at neck edge on next 7 rows, at the same time, dec 1 st at raglan edge on next and every alt row, as before, to 3 sts.

Next row: P3.

Next row: K1. K2tog.

Next row: P2.

Next row: K2tog. Fasten off.

With WS of work facing, join yarn to rem sts. Cast off 2 sts. P63 (including st on needle after cast off) (back). Turn. Leave rem 34 sts on a spare needle.

Raglan shaping:

1st row: Cast off 2 sts. Knit to end of row.

2nd row: Purl.

3rd row: K1. K2tog. Knit to last 3 st. Sl1. K1. pssso. K1.

4th row: Purl.

Rep last 2 rows to 27 sts ending with RS facing. Leave rem sts on a spare needle.

With WS of work facing, join yarn to rem sts.

Cast off 2 sts. Purl to last 5 sts. K5.

Next row: Knit.

Next row: Purl to last 5 sts. K5.

Raglan shaping:

1st row: Knit to last 3 sts. Sl1. K1. pssso. K1.

2nd row: Purl to last 5 sts. K5.

Rep last 2 rows to 22 sts ending with RS facing for next row.

Neck shaping:

Next row: Cast off 7 sts (neck edge). Knit to last 3 sts. Sl1. K1. pssso. K1.

Next row: Purl. Dec 1 st at neck edge on next 7 rows, at the same time, dec 1 st at raglan edge on next and every alt row, as before, to 3 sts.

Next row: P3.

Next row: Sl1. K1. pssso. K1.

Next row: P2.

Next row: Sl1. K1. pssso. Fasten off.

Sleeves:

Cast on 31 sts.

1st row: (RS). K1. *P1. K1. Rep from * to end of row.

2nd row: P1. *K1. P1. Rep from * to end of row. Rep these 2 rows (K1. P1) ribbing 4 times more, then 1st row once.

12th row: Rib, inc 5 sts evenly across. 36 sts. Proceed in stocking st inc 1 st at each end of needle on 5th and following 6th rows to 48 sts. Cont even until work from beg measures 5 1/4 " [13 cm] ending with RS facing for next row.

Raglan shaping:

Cast off 2 sts beg next 2 rows.

1st row: K1. K2tog. Knit to last 3 sts. Sl1. K1. pssso. K1.

2nd row: Purl. Rep last 2 rows to 10 sts, ending with RS facing. Leave rem sts on a spare needle.

Finishing:**Neckband:**

Sew raglan seams. With RS of work facing, pick up and knit 11 sts up right front neck edge. K10 from right sleeve, 27 sts from back dec 1 st at center and 10 sts from left sleeve. Pick up and knit 11 sts down left front neck edge. 68 sts. Knit 3 rows.

Next row: (RS). (eyelet row). K3. *yfwd. K2tog. K2. Rep from * to last st. K1.

Knit 2 rows. Cast off knitways (WS).

Sew sleeve seams. Thread ribbon through eyelet row of neckband. Do not press.

Bonnet:

Cast on 90 sts. Work from ** to ** as given for Jacket.

Cont in pat until work from beg measures approx 5" [12.5 cm] ending on a 9th row of pat. Back shaping:

Keeping cont of pat, cast off 33 sts beg next 2 rows.

Work 30 rows even in pat, thus ending with RS facing for next row. Knit 8 rows.

Next row: K2. K2tog. (K4. K2tog) 3 times. K2.
Cast off purlways (WS).

Finishing:

Sew each side of back panel to 33 cast off sts.
Do not press.

Neck edging:

With RS of work facing, join yarn to left corner at lower edge. Pick up and knit 96 sts along bottom (neck) edge of bonnet.
Knit 2 rows. Cast off knitways (WS).
Sew wide ribbon along neck edging.

Pretty Floral Cardigan

By: Patons

Precious cable knit cardigan for baby with floral detail. Intermediate skill level - perfect in baby blue or baby pink.



Materials:

- Patons® Astra (50 g/1.75 oz)
- Main Color (MC) (White)
 - 0-6 months 2 balls
 - 6-12 months 2 balls
 - 12-18 months 3 balls
 - 18-24 months 3 balls
- Contrast A (Pink) 1 ball for all sizes.
- Small quantity of Contrast B (Lilac) for embroidery.
- Knitting Needles: Sizes 3¼ mm (U.S. 3) and 4 mm (U.S. 6) or size needed to obtain tension.
- Cable needle.
- 5 buttons.

Sizes: Chest measurement

0-6 months: 16 ins [41 cm]
 6-12 months: 18 ins [46 cm]
 12-18 months: 20 ins [51 cm]
 18-24 months: 22 ins [56 cm]

Finished chest

0-6 months: 19½ ins [49 cm]
 6-12 months: 21½ ins [54 cm]
 12-18 months: 23½ ins [60 cm]
 18-24 months: 25½ ins [65 cm]

Gauge: 22 sts and 30 rows = 4 ins [10 cm] in stocking st with larger needles.

Special Abbreviations:

M1 = make one st by picking up horizontal loop lying before next st and working into back of it.
 C2B = slip next st onto cable needle and leave at back of work. K1, then K1 from cable needle.
 C2F = slip next st onto cable needle and leave at front of work. K1, then K1 from cable needle.
 Cr2R = slip next st onto cable needle and leave at back of work. K1, then P1 from cable needle.
 Cr2L = slip next st onto cable needle and leave at front of work. P1, then K1 from cable needle.

Instructions:

The instructions are written for smallest size. If changes are necessary for larger sizes, the instructions will be written thus ().

BACK

With smaller needles and A, cast on 57 (63-71-77) sts.

1st row: (RS). K1. *P1. K1. Rep from * to end of row.

Break A and join MC.

Cont using MC only as follows:

2nd row: Purl.

3rd row: K1. *P1. K1. Rep from * to end of row.

4th row: P1. *K1. P1. Rep from * to end of row. Last 2 rows form (K1. P1) ribbing.

Work a further 5 (5-7-7) rows ribbing, ending with WS facing for next row.

Next row: (WS). Rib 7 (7-8-8) sts. *M1. Rib 7 (8-9-10) sts. Rep from * to last 8 (8-9-9) sts. M1.

Rib 8 (8-9-9) sts. 64 (70-78-84) sts.

Change to larger needles and proceed in pat as follows:

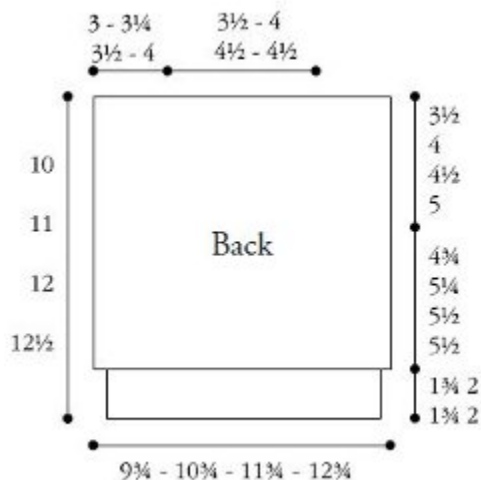
1st row: (RS). P3 (6-3-6). *C2B. P5. Rep from * to last 5 (8-5-8) sts. C2B. P3 (6-3-6).

2nd row: K3 (6-3-6). *P2. K5. Rep from * to last 5 (8-5-8) sts. P2. K3 (6-3-6).

These 2 rows form pat.

Cont in pat until Back from beg measures 10 (11-12-12½) ins [25.5 (28-30-32) cm], ending with RS facing for next row.

Cast off, placing markers either side of center 24 (26-28-30) sts to mark back neck edge.



LEFT FRONT

With smaller needles and A, cast on 28 (30-34-38) sts.

1st row: (RS). *K1. P1. Rep from * to last 2 sts. K2.

Break off A and join MC.

Cont using MC only as follows:

2nd row: K1. Purl to end of row.

3rd row: *K1. P1. Rep from * to last 2 sts. K2.

4th row: *K1. P1. Rep from * to end of row.

Last 2 rows form (K1. P1) ribbing.

Work a further 5 (5-7-7) rows ribbing, ending with WS facing for next row.

Next row: (WS). Rib 5 (5-5-7) sts. *M1. Rib 6 (5-6-8) sts. Rep from * to last 5 (5-5-7) sts. M1. Rib 5 (5-5-7) sts. 32 (35-39-42) sts.

Change to larger needles and proceed in pat as follows:

1st row: (RS). P3 (6-3-6). (C2B. P5) 1 (1-2-2) time(s). C2B. P10. (Cr2R. Cr2L) twice. P2.

2nd row: K2. P1. K2. P2. K2. P1. K10. P2. (K5. P2) 1 (1-2-2) time(s). K3 (6-3-6).

3rd row: P3 (6-3-6). (C2B. P5) 1 (1-2-2) time(s). C2B. P7. K2tog. P1. yrn. K1. P2. C2F. P2. K1. P2.

4th row: K2. P1. K2. P2. (K2. P1) twice. K7. P2. (K5. P2) 1 (1-2-2) time(s). K3 (6-3-6).

5th row: P3 (6-3-6). (C2B. P5) 1 (1-2-2) time(s). C2B. P6. K2tog. P1. yrn. P1. (Cr2L. Cr2R) twice. P2.

6th row: K3. P2. K2. P2. K4. P1. K6. P2. (K5. P2) 1 (1-2-2) time(s). K3 (6-3-6).

7th row: P3 (6-3-6). (C2B. P5) 1 (1-2-2) time(s). C2B. P5. K2tog. P1. yrn. P3. C2F. P2. C2F. P3.

8th row: K3. P2. K2. P2. K5. P1. K5. P2. (K5. P2) 1 (1-2-2) time(s). K3 (6-3-6).

These 8 rows form pat.

Cont in pat until Left Front from beg measures 5¼ (6-6¼-6¾) ins [13 (15-16-17) cm], ending with RS facing for next row.

Shape front: Place marker at beg of last row to mark beg of front shaping.

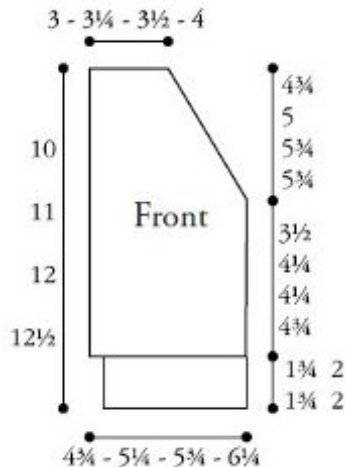
Next row: (RS). Pat 8 (11-15-18) sts. P2tog. C2B. Pat 20 sts. 31 (34-38-41) sts.

Next row: Pat 20 sts. P2. K1. Pat to end of row. Cont working dec 22 sts in from front edge, as set by last 2 rows, dec 1 st at front slope edge on next and every following alt row until 23 (23-25-27) sts rem.

Sizes 0-6 and 6-12 months only: Work 1 row even.

Dec 1 st at beg of next and following 2 (0) alt rows. 20 (22) sts.

All Sizes: Cont even in pat until Left Front measures same length as Back to shoulders, ending with RS facing for next row. Cast off.



RIGHT FRONT

With smaller needles and A, cast on 28 (30-34-38) sts.

1st row: (RS). K2. *P1. K1. Rep from * to end of row.

Break A and join MC.

Cont using MC only as follows:

2nd row: Purl to last st. K1.

3rd row: K2. *P1. K1. Rep from * to end of row.

4th row: *P1. K1. Rep from * to end of row.

Last 2 rows form (K1. P1) ribbing.

Work a further 5 (5-7-7) rows in ribbing, ending with WS facing for next row.

Next row: (WS). Rib 5 (5-5-7) sts. *M1. Rib 6 (5-6-8) sts. Rep from * to last 5 (5-5-7) sts. M1. Rib 5 (5-5-7) sts. 32 (35-39-42) sts.

Change to larger needles and proceed in pat as follows:

1st row: (RS). P2. (Cr2R. Cr2L) twice. P10. C2B. (P5. C2B) 1 (1-2-2) time(s). P3 (6-3-6).

2nd row: K3 (6-3-6). (P2. K5) 1 (1-2-2) time(s). P2. K10. P1. K2. P2. K2. P1. K2.

3rd row: P2. K1. P2. C2F. P2. K1. yrn. P1. Sl1K. K1. pssso. P7. C2B. (P5. C2B) 1 (1-2-2) time(s). P3 (6-3-6).

4th row: K3 (6-3-6). (P2. K5) 1 (1-2-2) time(s). P2. K7. (P1. K2) twice. P2. K2. P1. K2.

5th row: P2. (Cr2L. Cr2R) twice. P1. yrn. P1. Sl1K. K1. pssso. P6. C2B. (P5. C2B) 1 (1-2-2) time(s). P3 (6-3-6).

6th row: K3 (6-3-6). (P2. K5) 1 (1-2-2) time(s).

P2. K6. P1. K4. P2. K2. P2. K3.

7th row: P3. C2F. P2. C2F. P3. yrn. P1. Sl1K. K1. pssso. (P5. C2B) 2 (2-3-3) times. P3 (6-3-6).

8th row: K3 (6-3-6). (P2. K5) 2 (2-3-3) times. P1. K5. P2. K2. P2. K3.

These 8 rows form pat.

Cont in pat until Right Front from beg measures 5 1/4 (6-6 1/4-6 3/4) ins [13 (15-16-17) cm], ending with RS facing for next row.

Shape front: Place marker at end of last row to mark beg of front shaping.

Next row: (RS). Pat 20 sts. C2B. P2togtbl. Pat 8 (11-15-18) sts. 31 (34-38-41) sts.

Next row: Pat to last 23 sts. K1. P2. Pat 20 sts. Cont working dec 22 sts in from front edge, as set by last 2 rows, dec 1 st at front slope edge on next and every following alt row until 23 (23-25-27) sts rem.

Sizes 0-6 and 6-12 months only: Work 1 row even.

Dec 1 st at end of next and following 2 (0) alt rows. 20 (22) sts.

All Sizes: Cont even in pat until Right Front measures same length as Back before shoulders, ending with RS facing for next row. Cast off.

Sleeves

With smaller needles and A, cast on 29 (31-33-37) sts.

1st row: (RS). K1. *P1. K1. Rep from * to end of row.

2nd row: Purl.

Break A and join MC.

3rd row: (RS). K1. *P1. K1. Rep from * to end of row.

4th row: P1. *K1. P1. Rep from * to end of row. Last 2 rows form (K1. P1) ribbing.

Work a further 5 (5-7-7) rows in ribbing, ending with WS facing for next row.

Next row: (WS). Rib 2 (3-1-3) st(s). *M1. Rib 4 (3-3-3) sts. Rep from * to last 3 (4-2-4) sts. M1. Rib 3 (4-2-4) sts. 36 (40-44-48) sts.

Change to larger needles and proceed in pat as

follows:

1st row: (RS). P3 (5-7-9). (C2B. P5) 4 times. C2B. P3 (5-7-9).

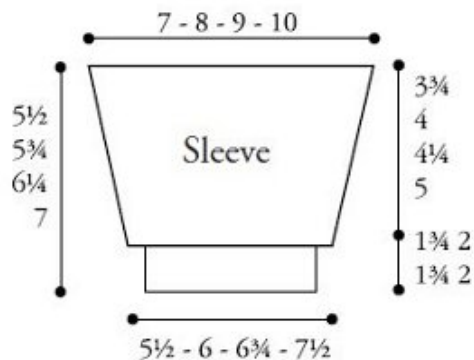
2nd row: K3 (5-7-9). (P2. K5) 4 times. P2. K3 (5-7-9).

These 2 rows form pat.

Cont in pat, shaping sides by inc 1 st at each end of next and every following 4th row until there are 46 (52-58-64) sts, taking inc sts into reverse stocking st.

Cont even in pat until Sleeve from beg measures 5½ (5¾-6¼-7) ins [14 (14.5-16-18) cm], ending with RS facing for next row.

Cast off.



Finishing

Sew shoulder seams.

Button Band: With smaller needles and MC, cast on 7 sts.

1st row: (RS). K2. P1. K1. P1. K2.

2nd row: K1. (P1. K1) 3 times.

Rep these 2 rows until band, when slightly stretched, fits up left front edge to shoulder and then across to center back neck, sewing in place as you work and ending with RS facing for next row. Cast off.

Mark positions for 5 buttons on this band with first to come ½ inch [1 cm] up from cast-on edge, last to come ½ inch [1 cm] below beg of front shaping and rem 3 buttons evenly spaced between.

Buttonhole Band: Work as given for Button Band with the addition of 5 buttonholes to correspond with button markers.

Make buttonhole (RS): K2. P1. K1. yfwd. K2tog. K1.

Sew ends of bands tog at center back neck. Place center of cast-off edge of Sleeves to shoulder seams, then sew Sleeves to Back and Fronts. Sew side and sleeve seams. Sew on buttons to correspond to buttonholes.

Embroider flowers onto Fronts as illustrated.

With A, embroider flowers by working 9 lazy daisy stitches radiating out from one point.

With B, embroider straight stitch stems and lazy daisy stitch leaves.

Straight Stitch



Lazy Daisy Stitch



Lacy Kids Cardigan

By: Patons

To complement its adult-sized match (see Knit Sweaters section) this kids' lacy cardigan is fit for any occasion, light weight and beautiful.



Materials:

- Patons Astra (50 g/1.75 oz)
 - 5 5 6 balls
- Knitting Needles: sizes 3.75 (U.S. 5) and 4 mm (U.S. 6).
- Circular knitting needle: size 3.75 (U.S. 5) or size needed to obtain tension.
- St holder.
- 5 buttons.

Sizes: 4 6 8

To fit chest measurement

4 24 ins [61 cm]

6 26 ins [66 cm]

8 28 ins [71 cm]

Finished chest

4 28 ins [71 cm]

6 31 ins [78.5 cm]

8 33½ ins [85 cm]

Gauge: 21 sts and 34 rows = 4 ins [10 cm] with larger needles in lace pat.

Instructions:

The instructions are written for smallest size. If changes are necessary for larger sizes the instructions will be written thus ().

BACK

With smaller needles, cast on 71 (78-85) sts.

1st row: (RS). P1. *P1. K2. yfwd. Sl1. K1. pssso. P2. Rep from * to end of row.

2nd row: *K2. P4. K1. Rep from * to last st. K1.

3rd row: P1. *P1. K2tog. yfwd. K2. P2. Rep from * to end of row.

4th row: As 2nd row.

These 4 rows form Eyelet Rib pat.

Work a further 2 (4-6) rows in Eyelet Rib pat, inc 3 sts evenly across last row. 74 (81-88) sts.

Change to larger needles and proceed in Lace Pat as follows:

1st row: (RS). K3. *Sl1. K1. pssso. K5. yfwd. Rep from * to last st. K1.

2nd and alt rows: Purl.

3rd row: K3. *Sl1. K1. pssso. K4. yfwd. K1. Rep from * to last st. K1.

5th row: K3. *Sl1. K1. pssso. K3. yfwd. K2. Rep from * to last st. K1.

7th row: K3. *Sl1. K1. pssso. K2. yfwd. K3. Rep from * to last st. K1.

9th row: K3. *Sl1. K1. pssso. K1. yfwd. K4. Rep from * to last st. K1.

11th row: K3. *Sl1. K1. pssso. yfwd. K5. Rep from * to last st. K1.

13th row: K1. *yfwd. K5. K2tog. Rep from * to last 3 sts. K3.

15th row: K2. *yfwd. K4. K2tog. K1. Rep from * to last 2 sts. K2.

17th row: K3. *yfwd. K3. K2tog. K2. Rep from * to last st. K1.

19th row: K4. *yfwd. K2. K2tog. K3. Rep from * to end of row.

21st row: K5. *yfwd. K1. K2tog. K4. Rep from * to last 6 sts. yfwd. K1. K2tog. K3.

23rd row: K6. *yfwd. K2tog. K5. Rep from * to last 5 sts. yfwd. K2tog. K3.

24th row: Purl.

These 24 rows form Lace Pat.

Cont in Lace Pat until work from beg measures approx $8\frac{1}{4}$ ($8\frac{1}{2}$ -9) ins [21 (21.5-23) cm], ending on a 16th row of Lace Pat.

Armhole shaping: 1st row: (RS).

Cast off 3 sts (1 st rem on needle after cast off). yfwd. K2. K2tog. K2. *yfwd. K3. K2tog. K2. Rep from * to last st. K1.

2nd row: Cast off 3 sts. Purl to end of row.

3rd row: Sl1. K1. pss0. yfwd. K1. K2tog. K3. *yfwd. K2. K2tog. K3. Rep from * to last 4 sts.

yfwd. K2. K2tog.

4th row: P2tog. Purl to end of row.

5th row: Sl1. K1. pss0. K5. *yfwd. K1. K2tog. K4. Rep from * to last 3 sts. K1. K2tog.

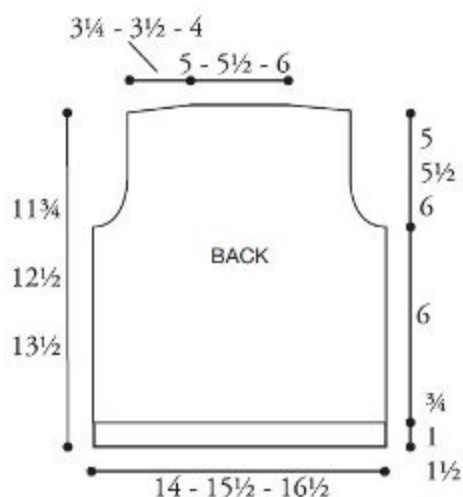
6th row: Purl.

7th row: Sl1. K1. pss0. K4. *yfwd. K2tog. K5. Rep from * to last 2 sts. K2tog.

8th row: P2tog. Purl to last 2 sts. P2togtbl. 60 (67-74) sts.

Beg with 1st row of Lace Pat, cont even in pat until armhole measures approx 5 ($5\frac{1}{2}$ -6) ins [12.5 (14-15) cm], ending on a 10th (16th-22nd) row of Lace Pat.

Shoulder shaping: Cast off 8 (9- 10) sts beg next 2 rows, then cast off 9 (10-11) sts beg following 2 rows. Leave rem 26 (29-32) sts on a st holder.



LEFT FRONT

**With smaller needles, cast on 36 (36-43) sts. Work 6 (8-10) rows in Eyelet Rib Pat as given for Back inc 3 sts evenly across last row. 39 (39-46) sts.

Change to larger needles and proceed in Lace Pat as given for Back until work from beg measures approx $8\frac{1}{4}$ ($8\frac{1}{2}$ -9) ins [21 (21.5-23) cm], ending on a 16th row of Lace Pat.**

Armhole and V-neck shaping:

1st row: (RS). Cast off 3 sts. yfwd. K2. K2tog. K2. *yfwd. K3. K2tog. K2. Rep from * to last 8 sts. yfwd. K3. K2tog. K1. K2tog.

2nd row: Purl.

3rd row: Sl1. K1. pss0. yfwd. K1. K2tog. K3. *yfwd. K2. K2tog. K3. Rep from * to last 6 sts. yfwd. K2. (K2tog) twice.

4th row: Purl.

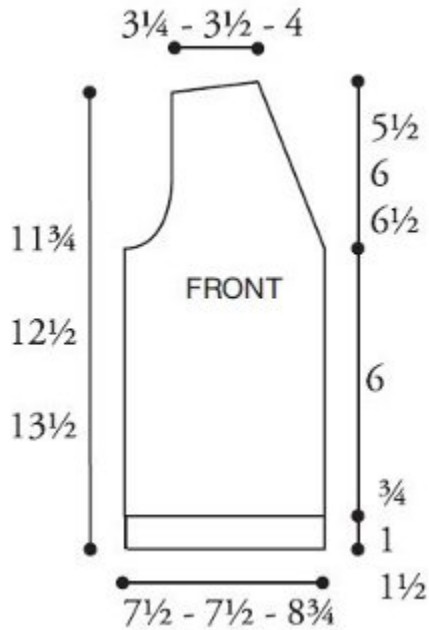
5th row: Sl1. K1. pss0. K6. *yfwd. K1. K2tog. K4. Rep from * to last 4 sts. K2. K2tog.

6th row: Purl.

7th row: Sl1. K1. pss0. K6. *yfwd. K2tog. K5. Rep from * to last 2 sts. K2tog.

8th row: Purl to last 2 sts. P2togtbl. 28 (28-35) sts.

Dec 1 st at V-neck edge only on next and every alt row 4 times, then every 4th row from previous dec 6 (4-9) times. 17 (19-21) sts. Cont even in pat until armhole measures same length as Back to beg of shoulder shaping, ending on a 10th (16th-22nd) row of Lace Pat. Shoulder shaping: Cast off 8 (9- 10) sts beg next row. Purl 1 row. Cast off rem 9 (10-11) sts.



RIGHT FRONT

Work from ** to ** as given for Left Front.

Armhole and V-neck shaping:

1st row: (RS). Sl1. K1. pss0. K1. *yfwd. K3.

K2tog. K2. Rep from * to last st. K1.

2nd row: Cast off 3 sts. Purl to end of row.

3rd row: Sl1. K1. pss0. K1. *yfwd. K2. K2tog. K3.

Rep from * to last 4 sts. yfwd. (K2tog) twice.

4th row: Purl.

5th row: Sl1. K1. pss0. K1. *yfwd. K1. K2tog. K4.

Rep from * to last 3 sts. K1. K2tog.

6th row: Purl.

7th row: Sl1. K1. pss0. K1. *yfwd. K2tog. K5. Rep

from * to last 2 sts. K2tog.

8th row: P2tog. Purl to end of row. 28 (28-35)

sts.

Proceed as follows to cont shaping V-neck only:

1st row: (RS). Sl1. K1. pss0. K4. *Sl1. K1. pss0.

K5. yfwd. Rep from * to last st. K1.

2nd and alt rows: Purl.

3rd row: Sl1. K1. pss0. K3. *Sl1. K1. pss0. K4.

yfwd. K1. Rep from * to last st. K1.

5th row: Sl1. K1. pss0. K2. *Sl1. K1. pss0. K3.

yfwd. K2. Rep from * last st. K1.

7th row: Sl1. K1. pss0. K1. *Sl1. K1. pss0. K2.

yfwd. K3. Rep from * to last st. K1.

9th row: Sl1. K1. pss0. *Sl1. K1. pss0. K1. yfwd.

K4. Rep from * to last st. K1.

Dec 1 st at V-neck edge only, as established above, on every 4th row from previous dec 6 (4-9) times more. 17 (19-21) sts.

Cont even in pat until armhole measures same length as Back to beg of shoulder shaping ending on an 11th (17th-23rd) row of Lace Pat. Shoulder shaping: Cast off 8 (9- 10) sts beg next row. Work 1 row even. Cast off rem 9 (10-11) sts.

SLEEVES

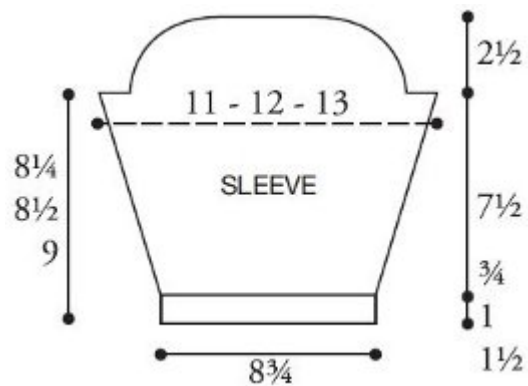
With smaller needles, cast on 43 sts.

Work 6 (8-10) rows in Eyelet Rib Pat as given for Back, inc 3 sts evenly across last row. 46 sts.

Change to larger needles and proceed in Lace Pat as given for Back inc 1 st at each end of needle on next and every following 4th row to 58 (64-68) sts, taking inc sts into stocking st.

Cont even in pat until work from beg measures 6 1/2 ins [16.5 cm], ending with RS facing for next row.

Top shaping: Cast off 2 st beg next 2 rows. Dec 1 st each end of needle on next and every following alt row 7 times. Cast off 3 sts beg next 4 rows. Cast off rem 26 (32-36) sts.



Finishing

Pin garment pieces to measurements. Cover with a damp cloth leaving to dry.

Buttonhole and button band: Sew shoulder seams. With RS of work facing and circular needle, pick up and knit 35 (37-39) sts up Right Front edge to V-neck shaping. Pick up and knit 32 (34- 38) sts up Right Front V-neck edge to shoulder seam. K26 (29- 32) from back st holder, dec 2 sts evenly across. Pick up and knit 32 (34-38) sts down Left Front V-neck edge. Pick up and knit 35 (37-39) sts down Left Front edge to lower edge. 158 (171-184) sts.

Next row: Knit.

Next row: K3. *Cast off 1 st. K6 (7-8) (including st on needle after cast off). Rep from * 3 times more. Cast off 1 st. Knit to end of row.

Next row: Knit, casting on 2 sts over each cast off st to make a loop. Cast off purlwise (RS). Sew in Sleeves. Sew side and sleeve seams. Sew buttons to correspond to button loops.

12 Easy Lace Knitting Patterns

eBook from www.FaveCrafts.com

Included in this eBook:

- Knitting Lace Afghans
 - Lace Cable Afghan, pg.7
- Lace Top Knitting Pattern
 - Eyelet Knit Top, pg. 14
- Easy Lace Scarves and Wraps
 - Easy Lace Shawl, pg. 21
- Lace Patterns for Kids and Babies
 - Baby Layette, pg. 24

Sign up for our [free crafting newsletter](#) and receive more low-cost collections, free craft projects, quick tips, home décor ideas and more right in your inbox every week.